

SPiRiT™



GAS GRILL

Assembly Guide

210 PREMIUM • 210 ORIGINAL

LP/NG

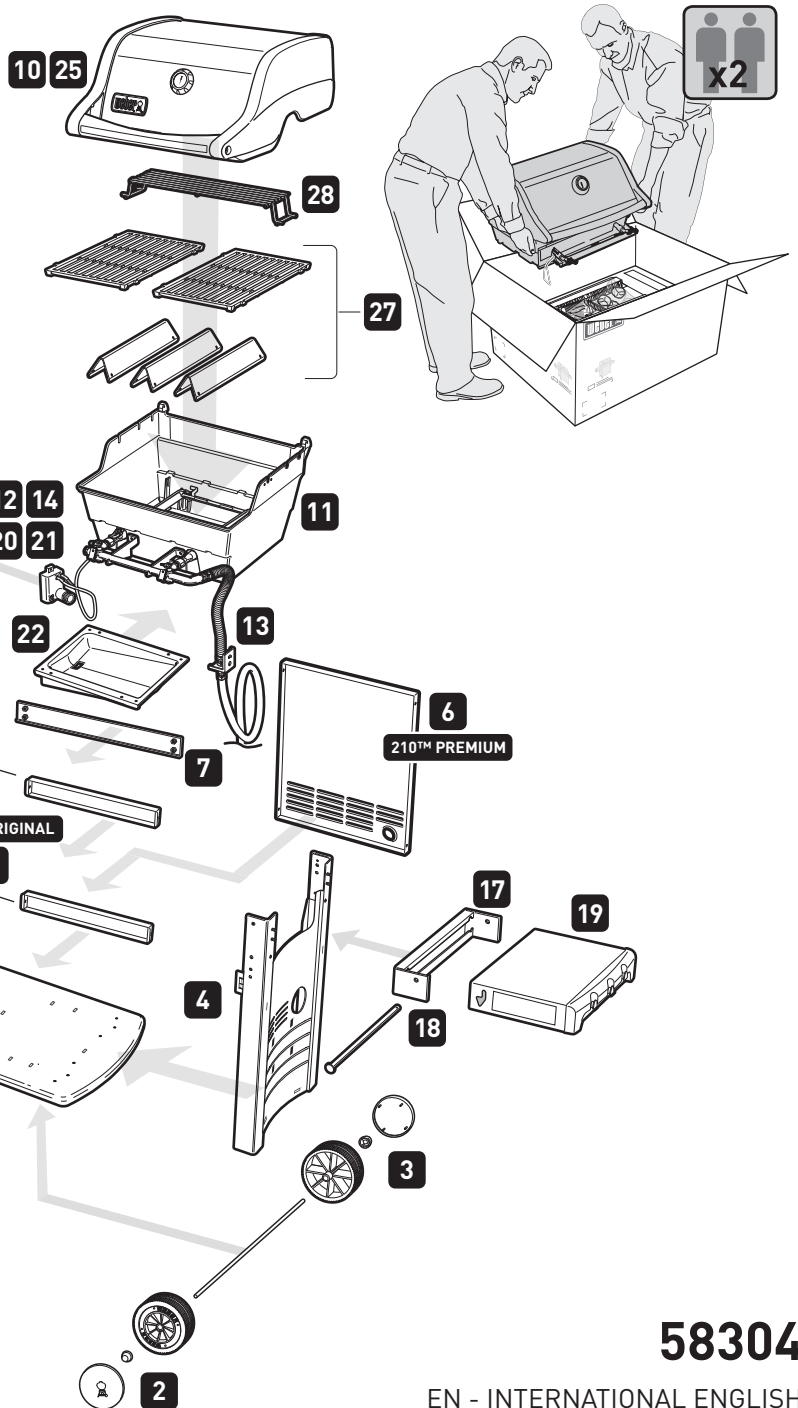
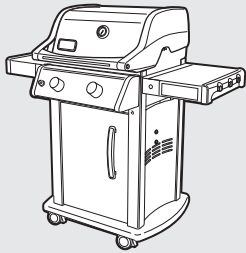
TOOLS NEEDED:



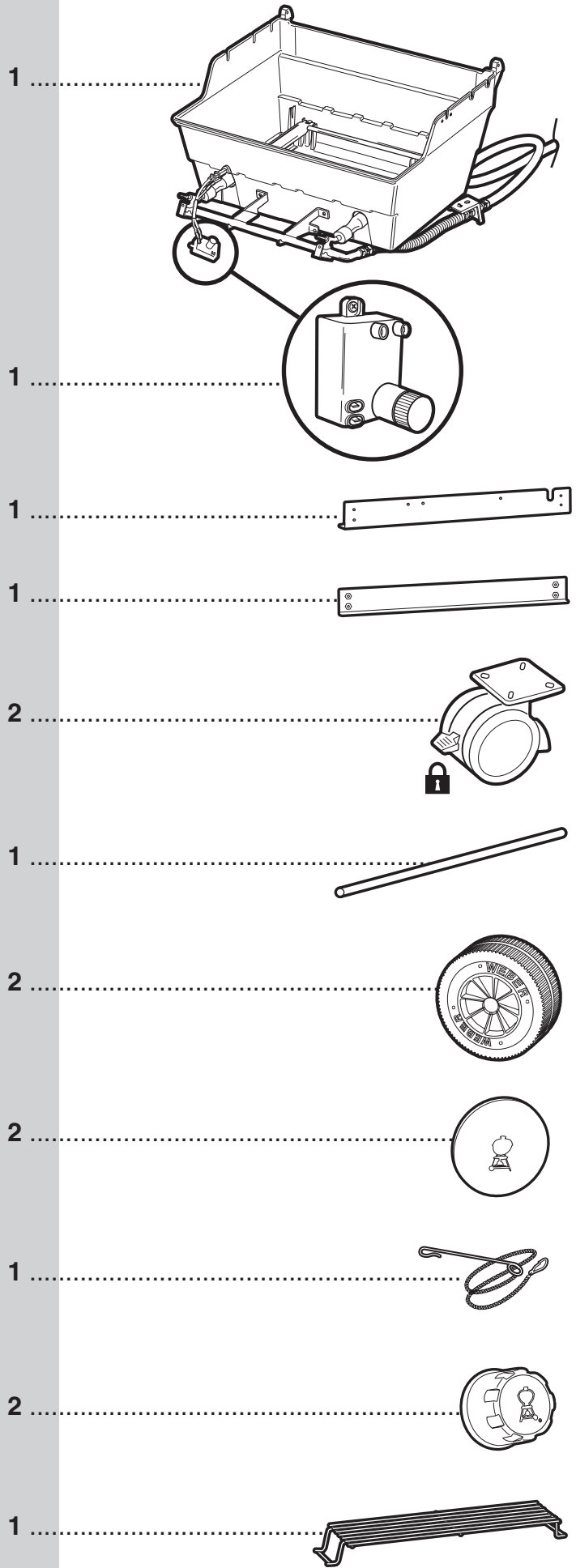
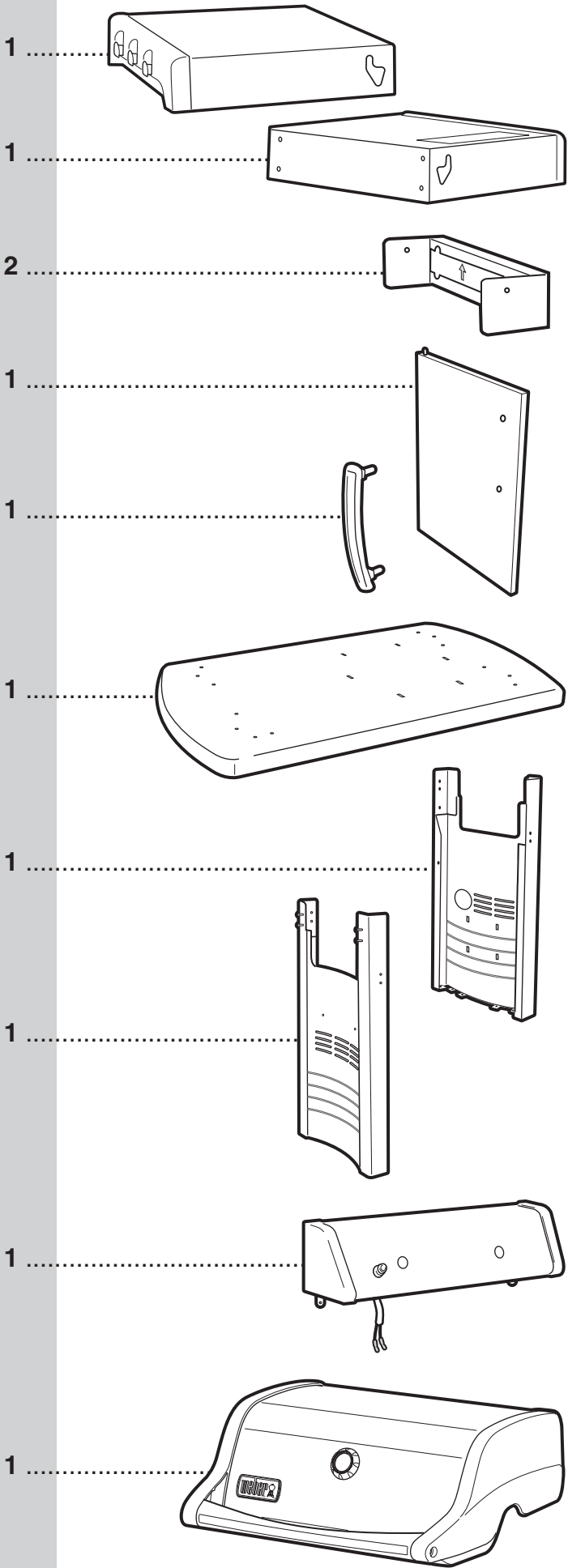
7/16"

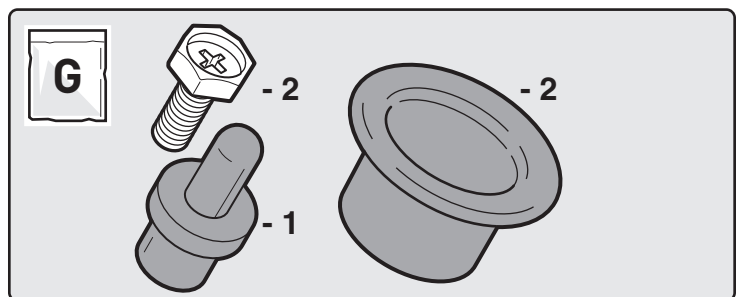
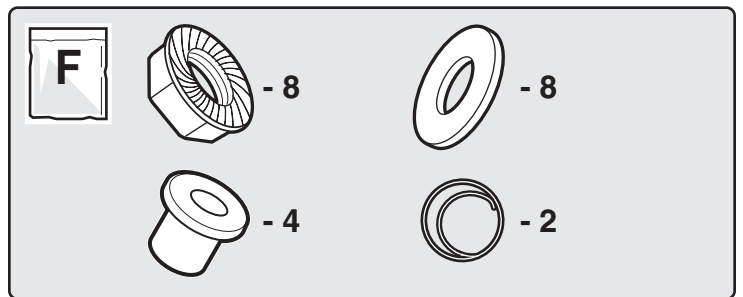
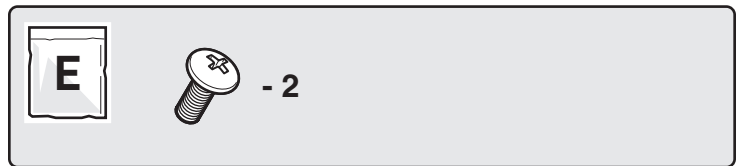
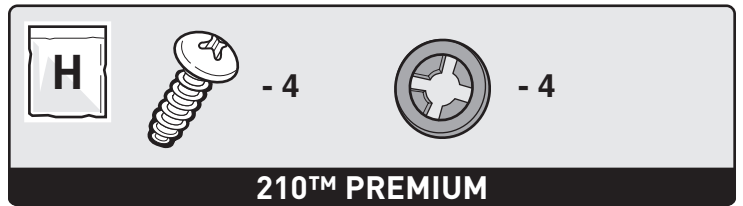
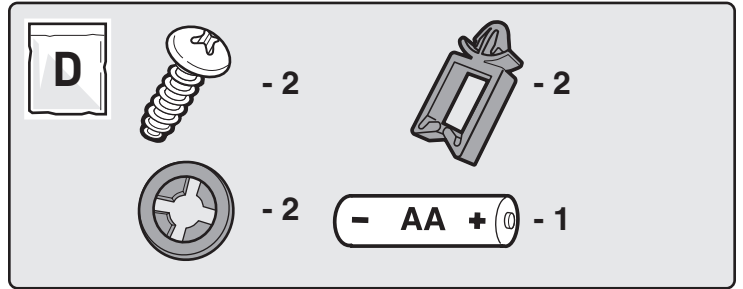
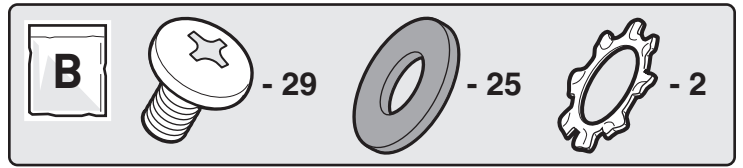
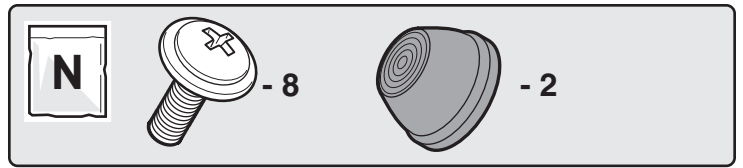
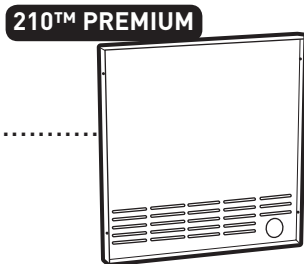
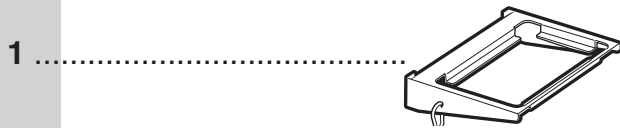
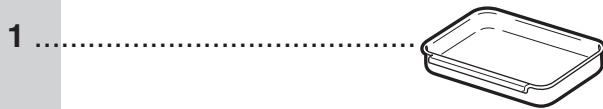
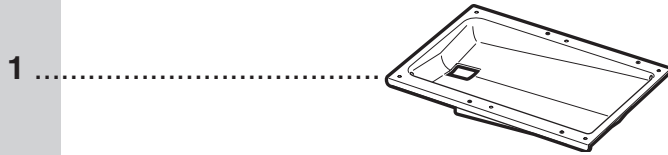
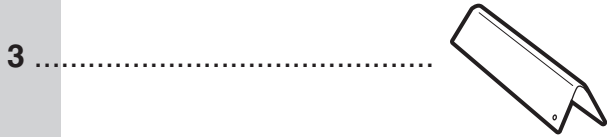
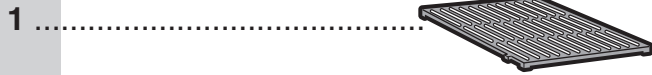


7/16", 9/16"

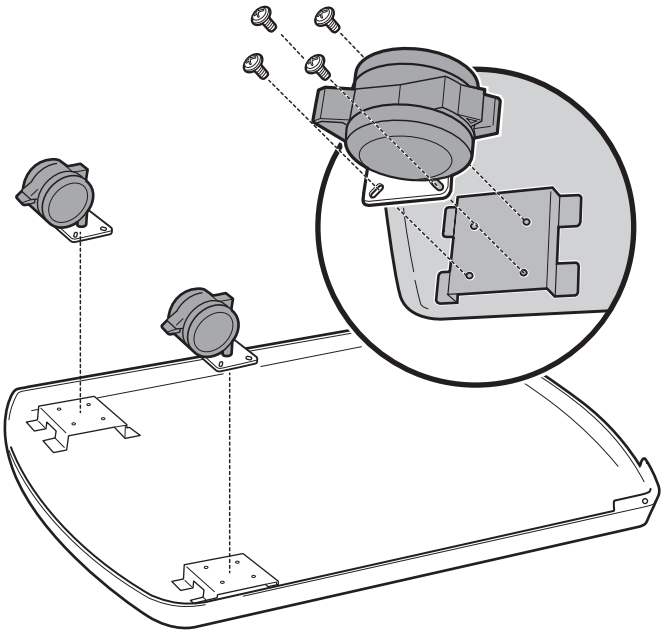


58304

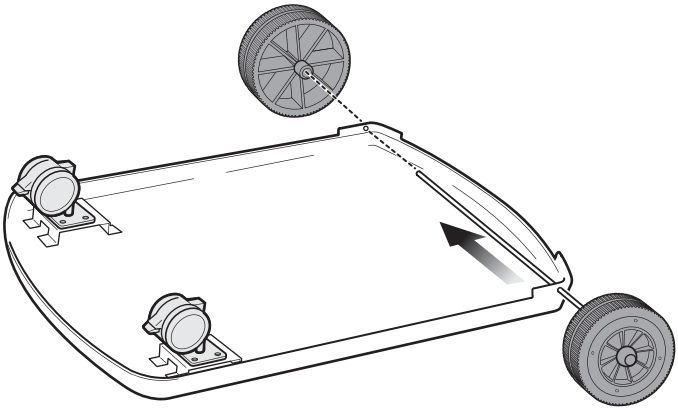
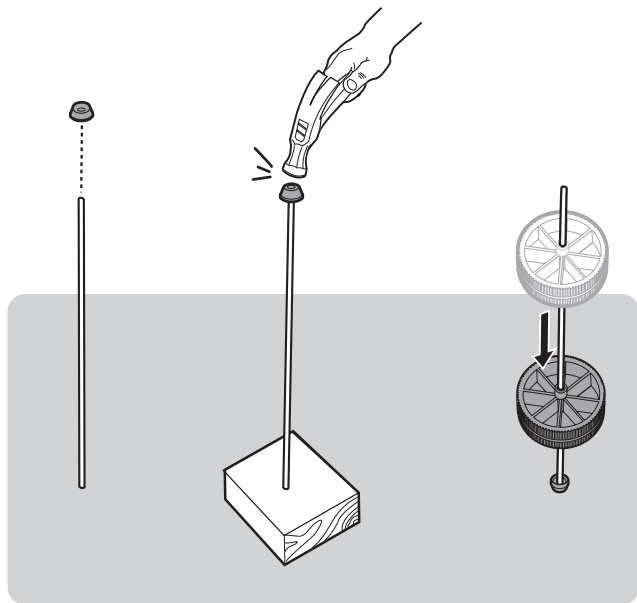




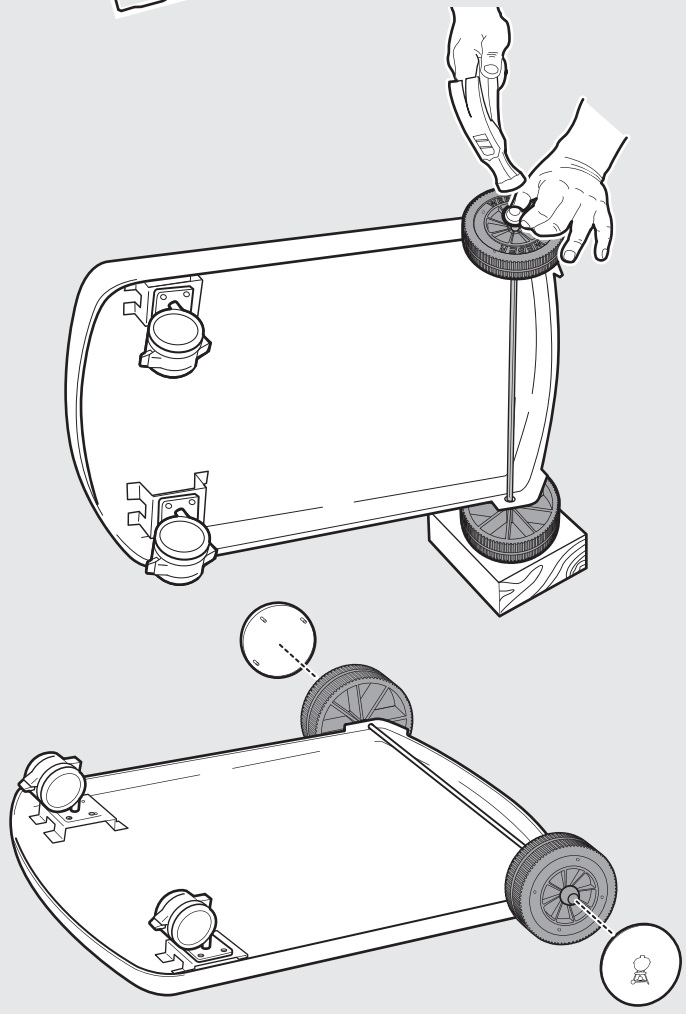
1 N  -8  -2





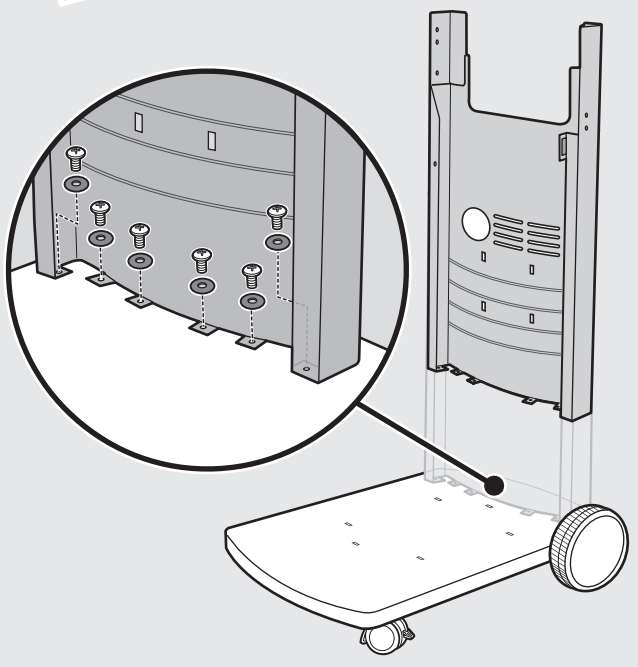
2 N  -1



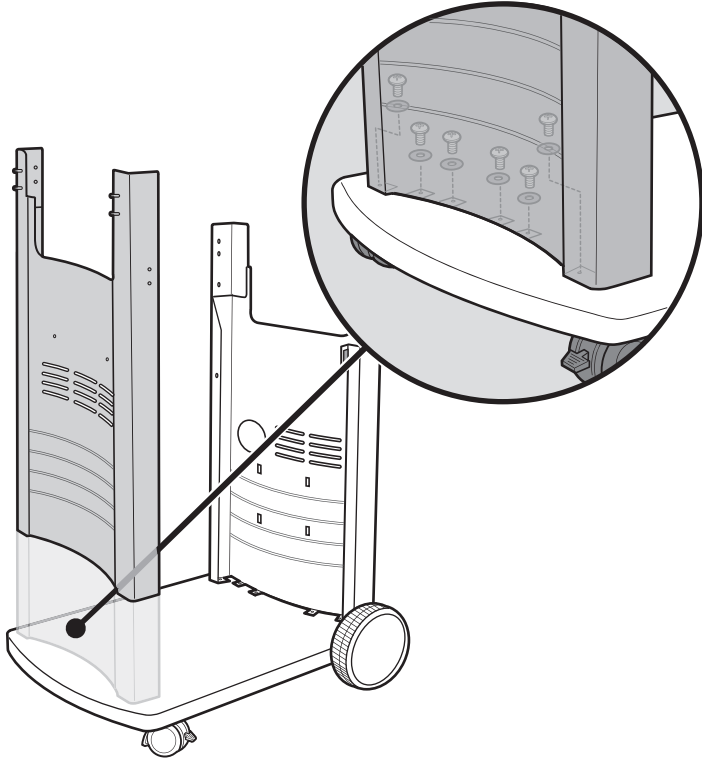
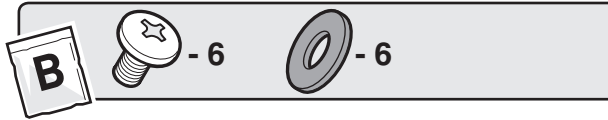
3 N  -1



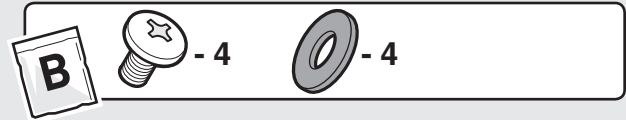
4 B  -6  -6



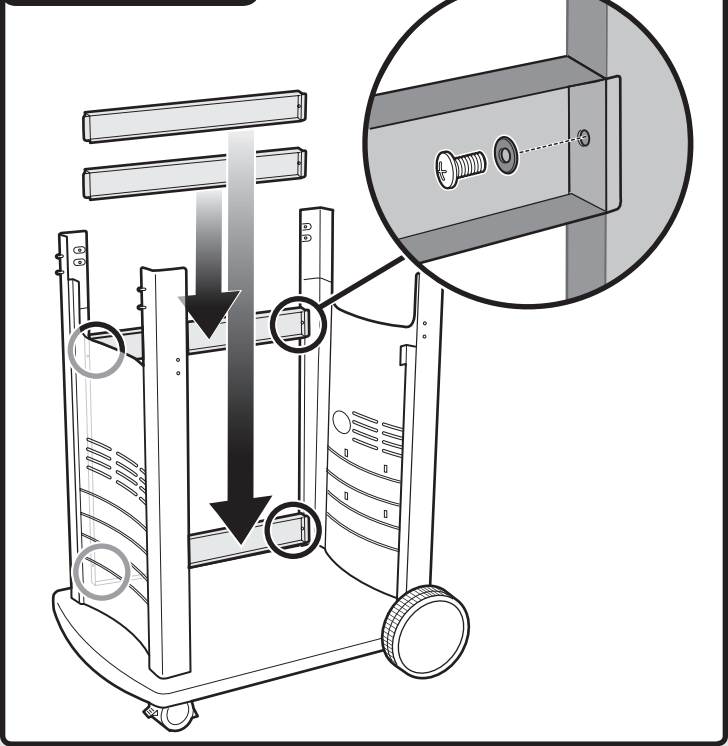
5



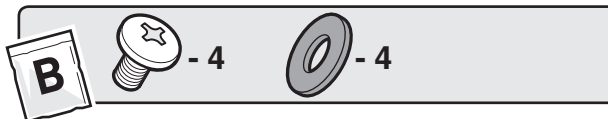
6



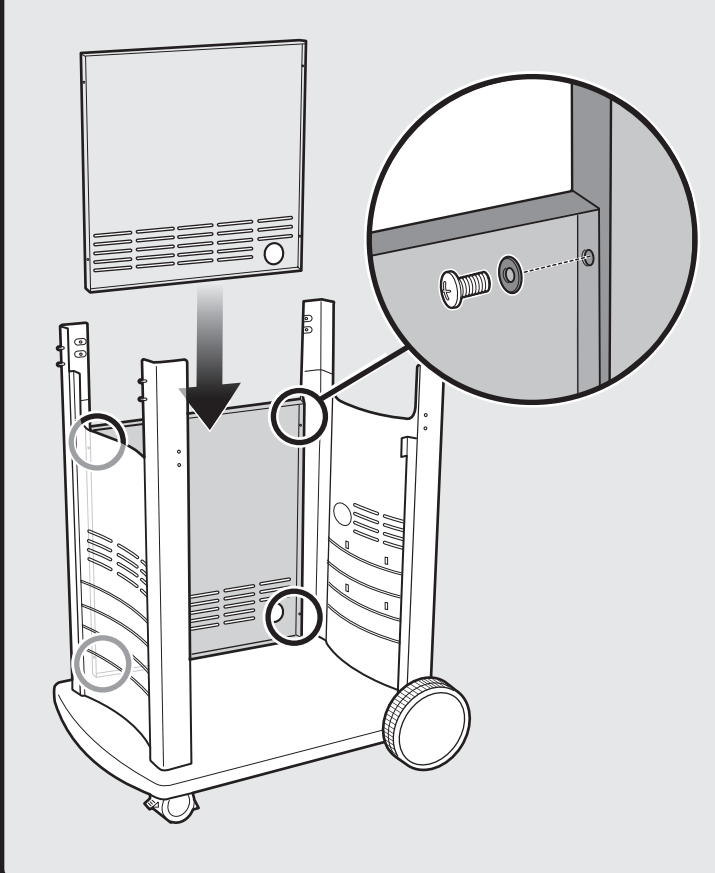
210™ ORIGINAL



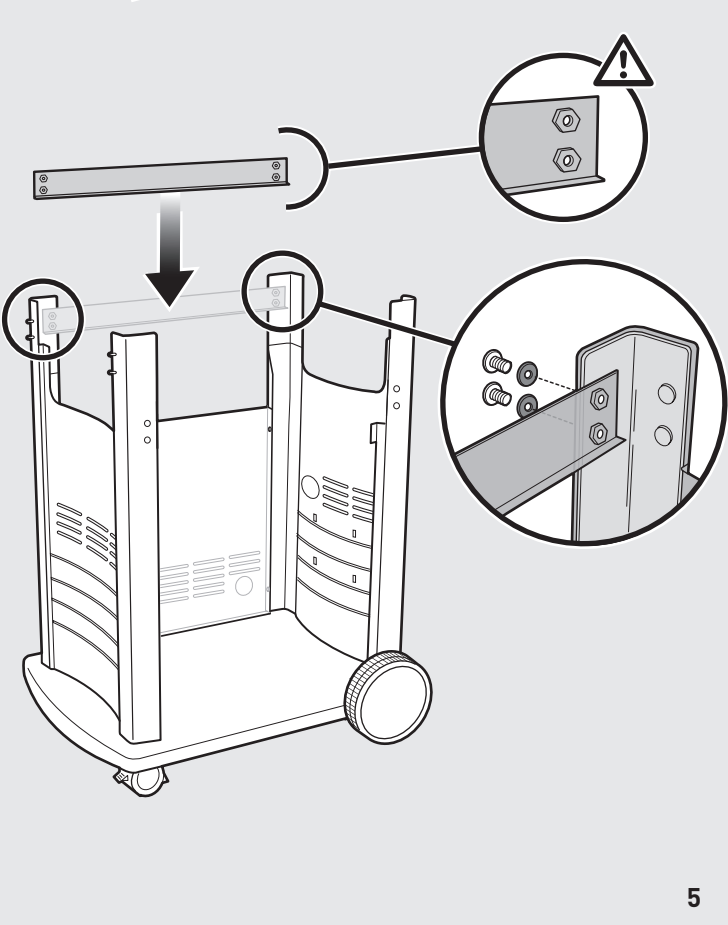
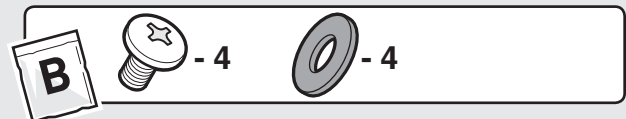
6



210™ PREMIUM

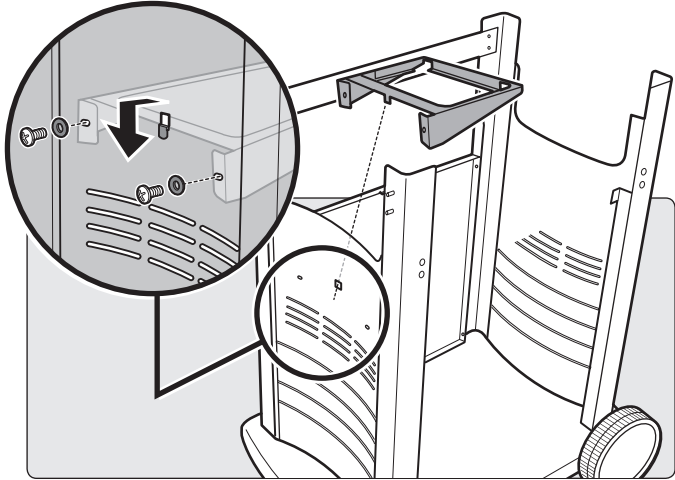


7



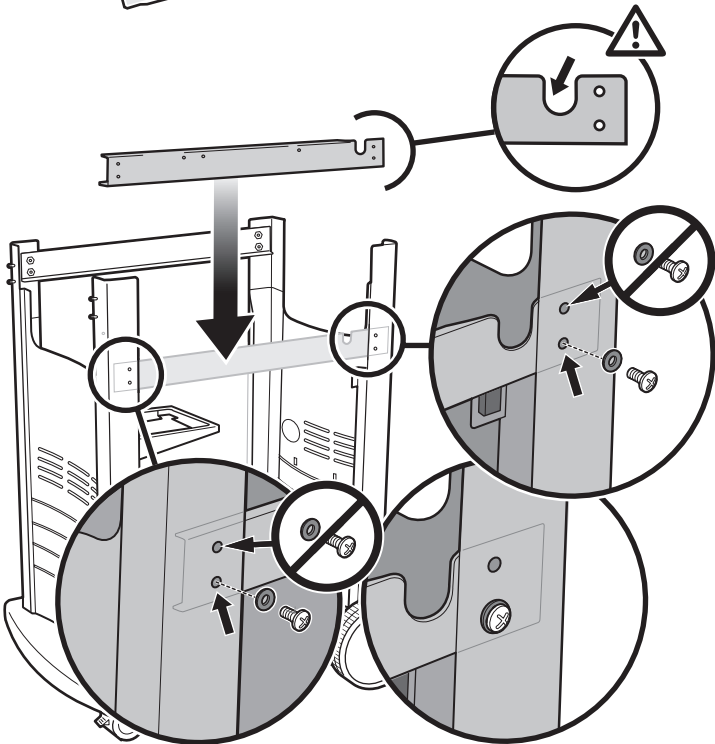
8

B



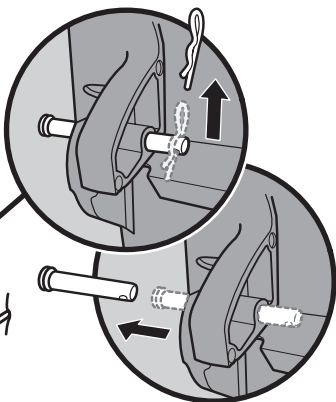
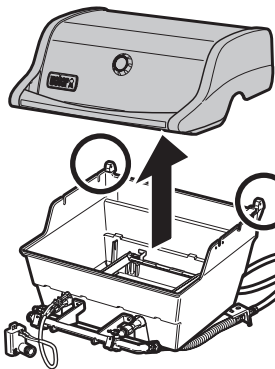
9

B



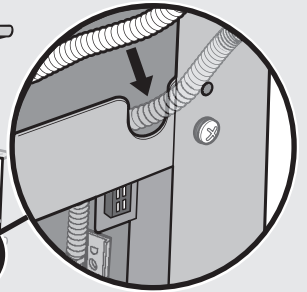
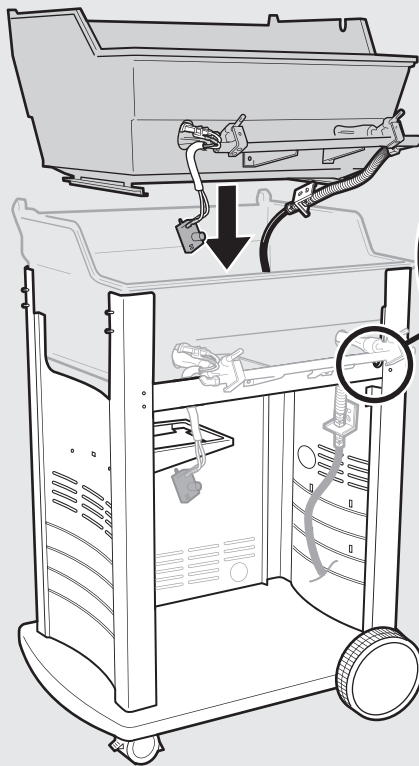
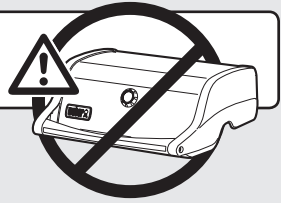
10

x2

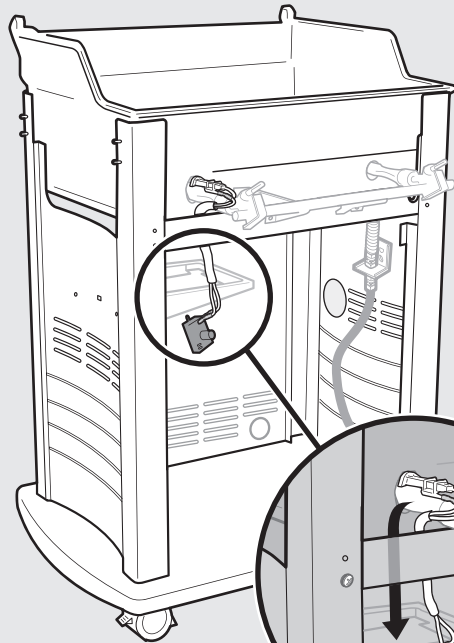


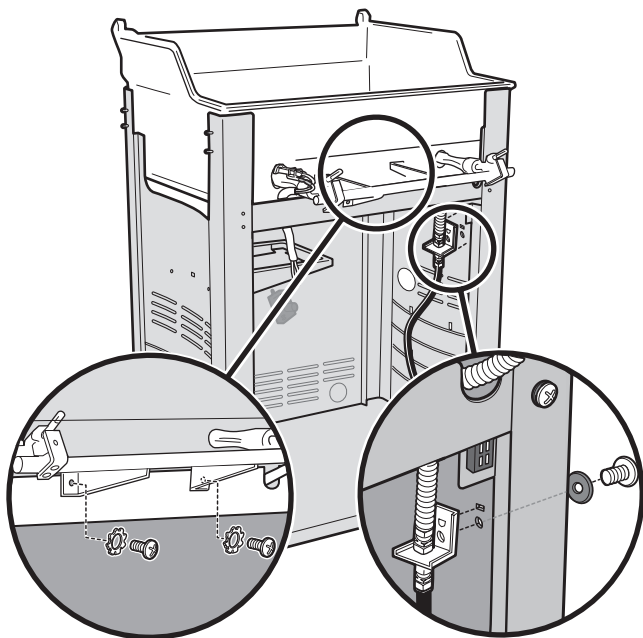
11

x2

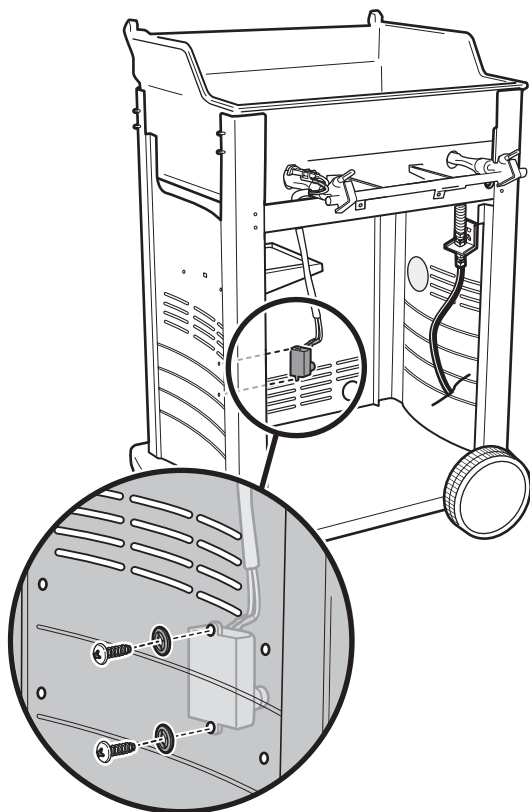
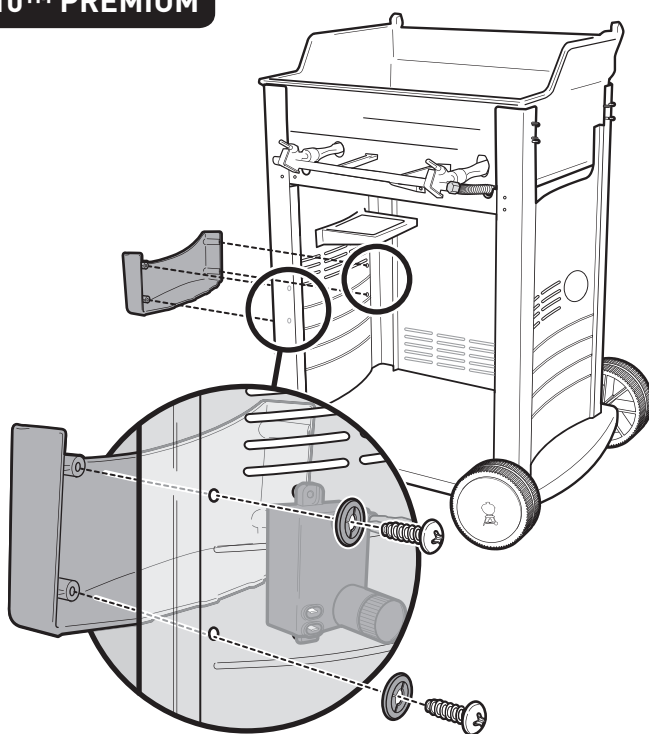
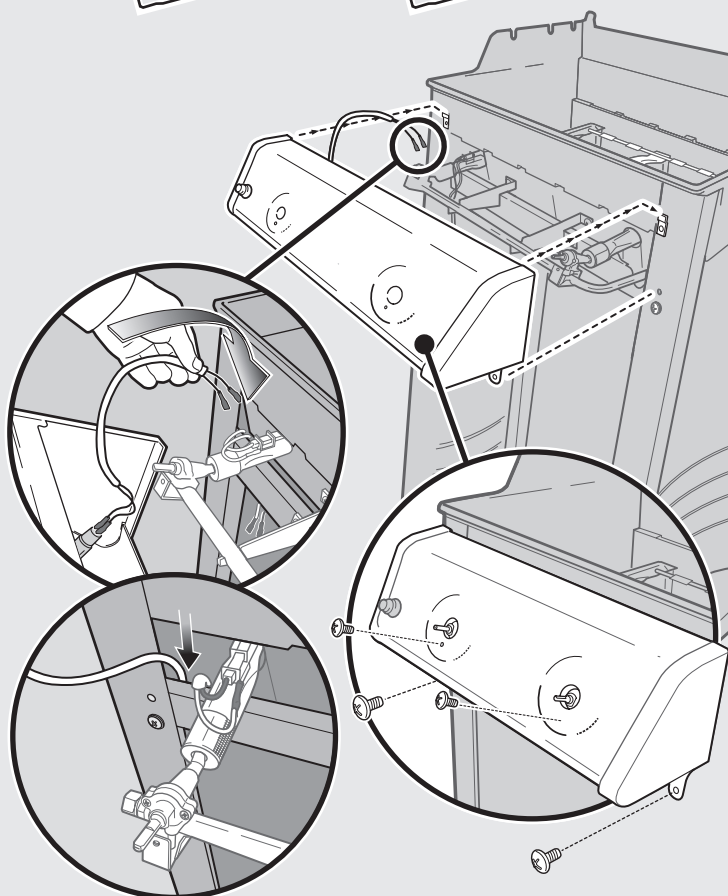


12



13

See Owner's Guide for full gas instructions.

14**15****210™ PREMIUM****16**

17

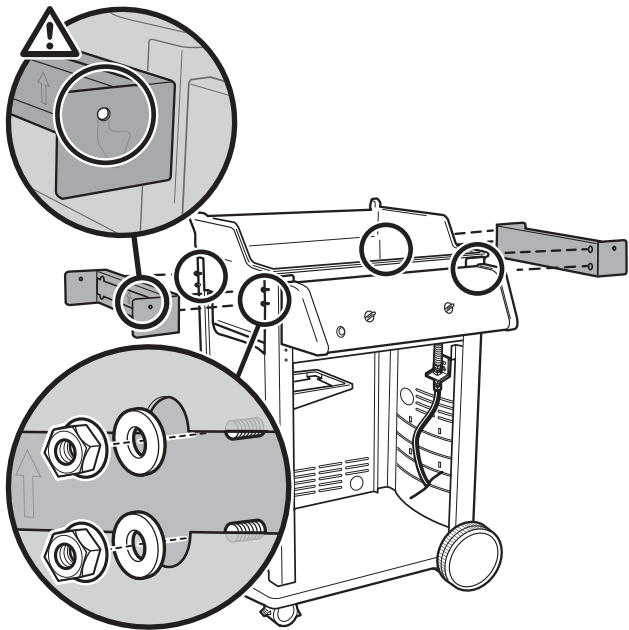
F



- 8



- 8



Tighten the nuts until snug. Turn only a quarter turn further. DO NOT OVER TIGHTEN.



18

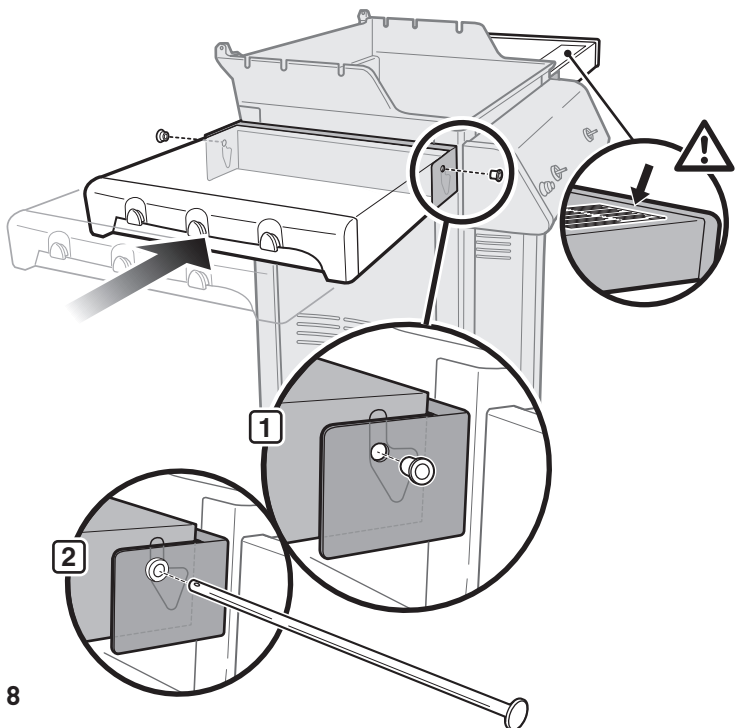
F



- 4



- 2

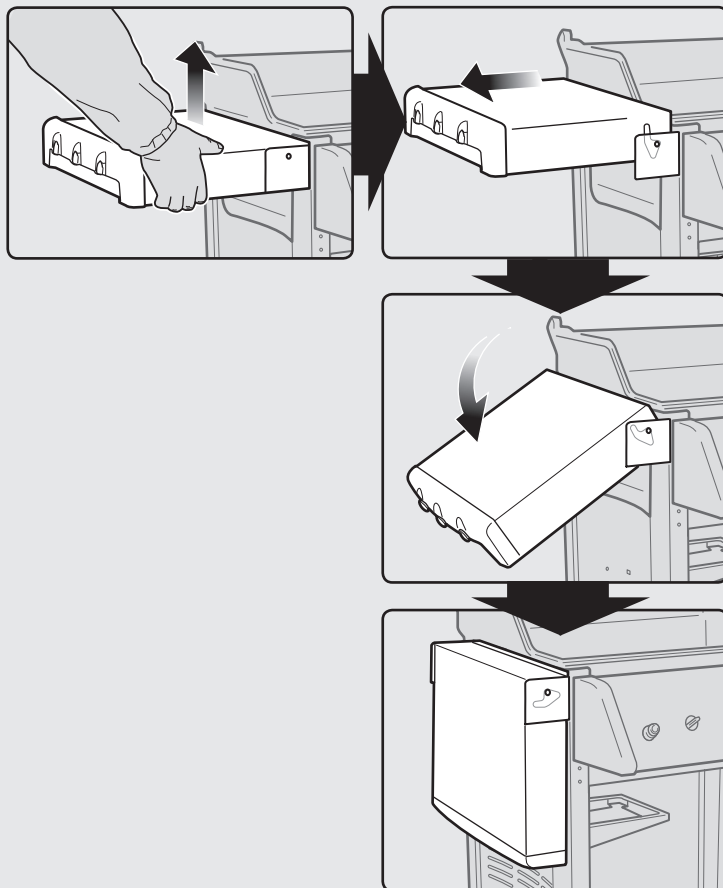
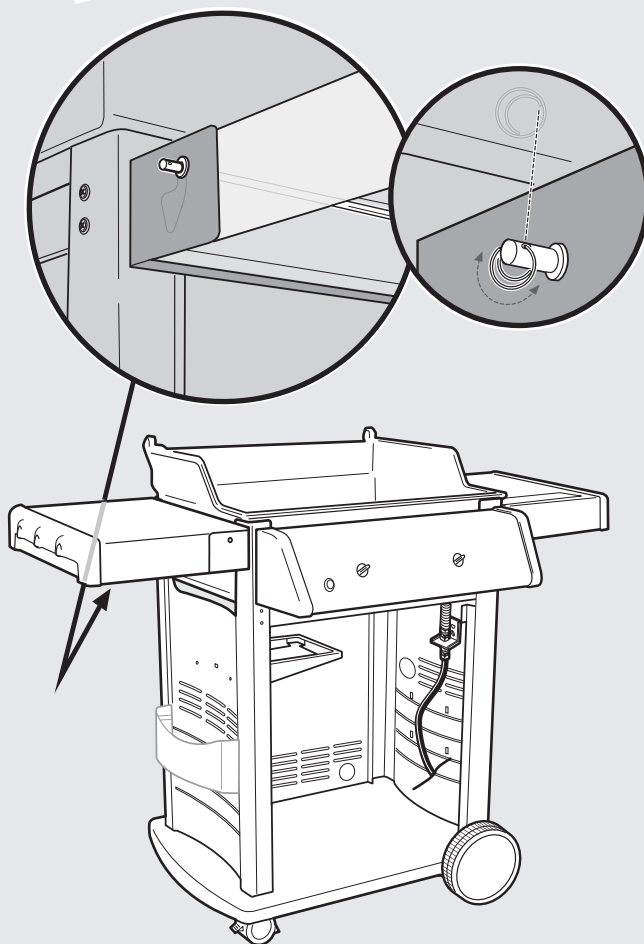


19

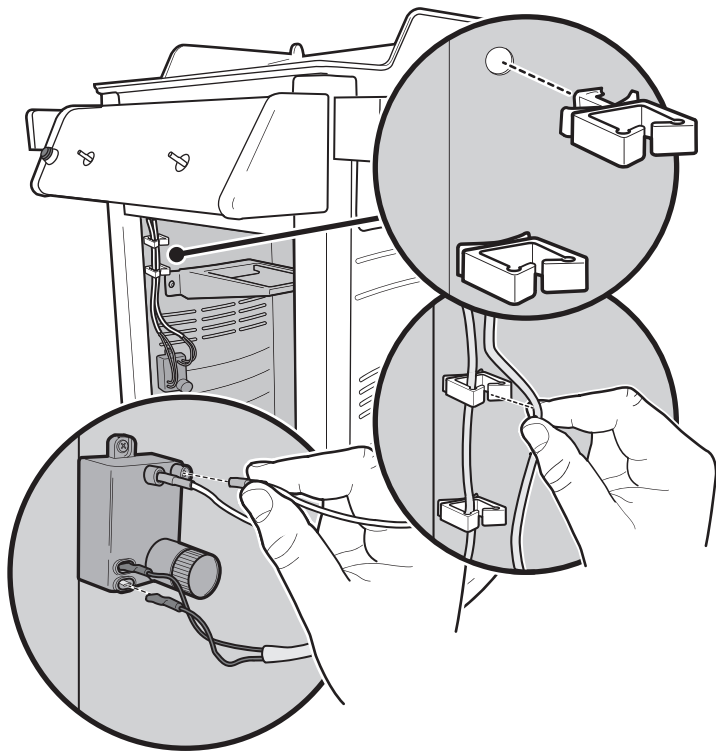
F



- 2

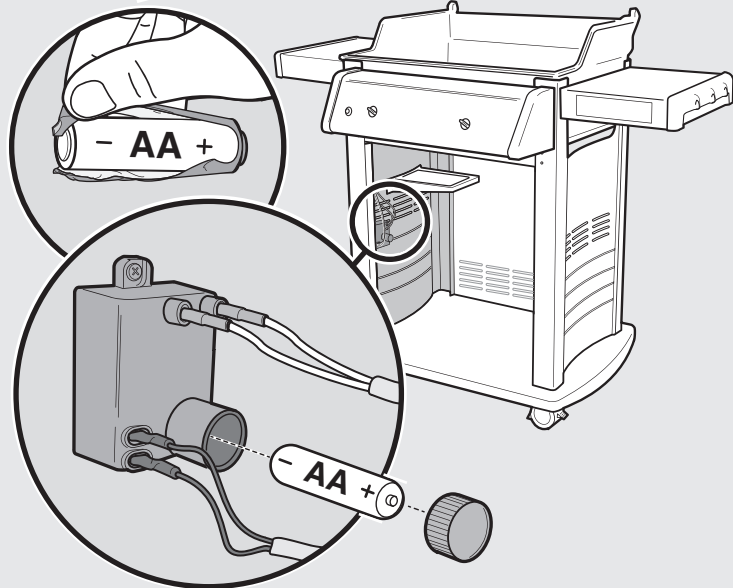


20

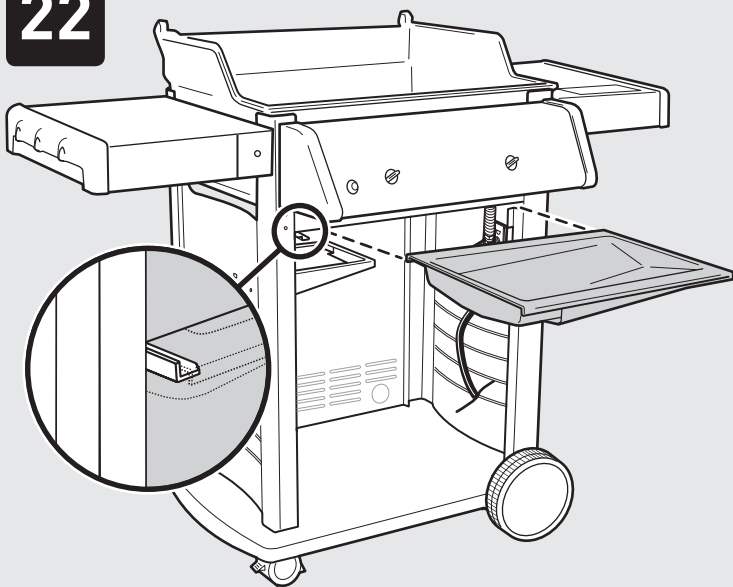


See Owner's Guide for the Igniter Module Wire Guide chart.

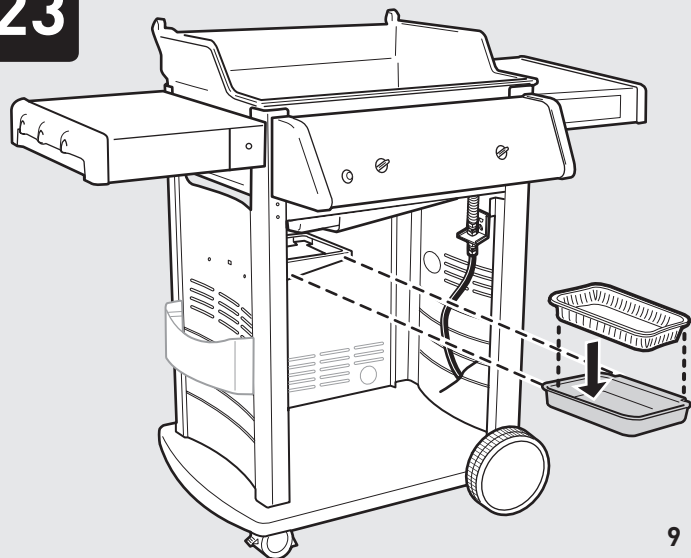
21



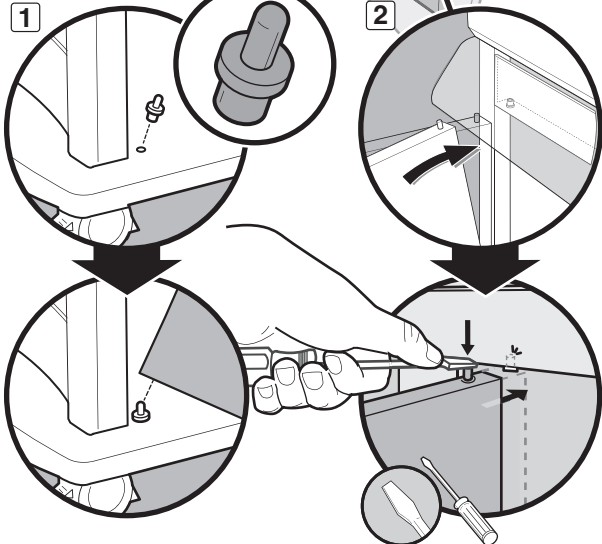
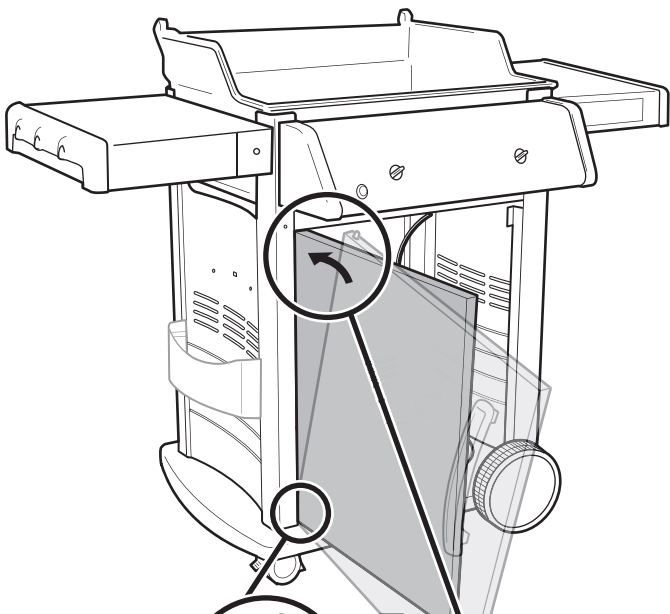
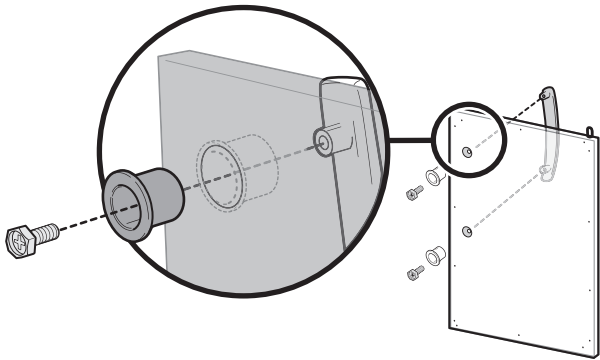
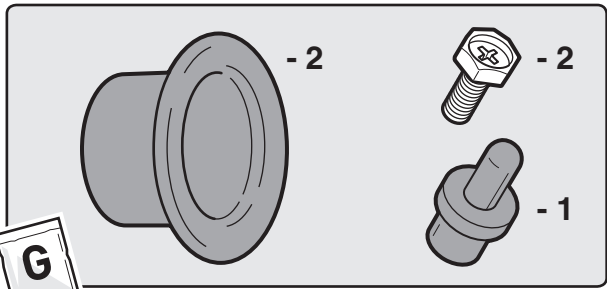
22



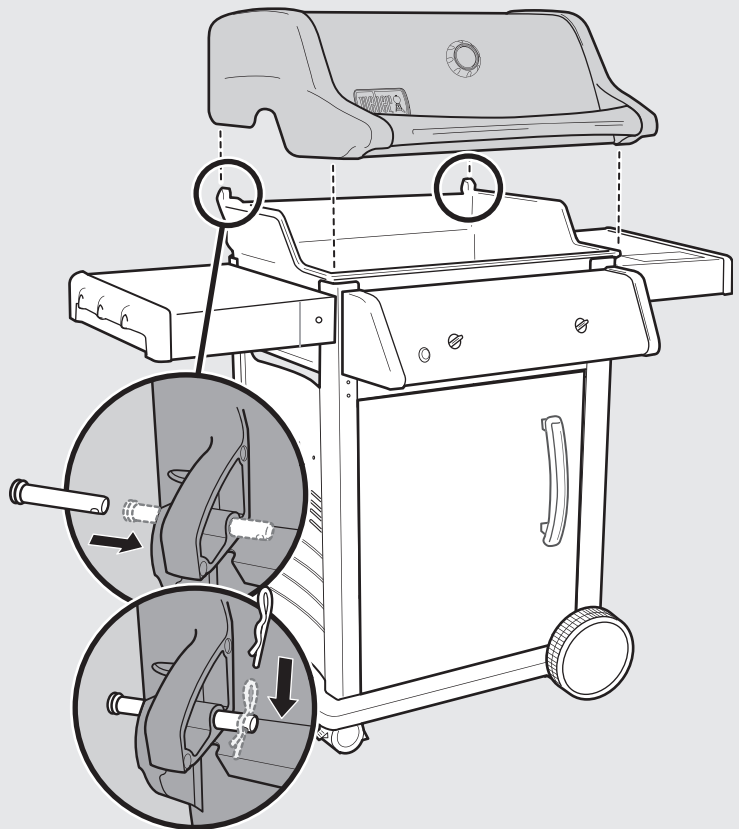
23



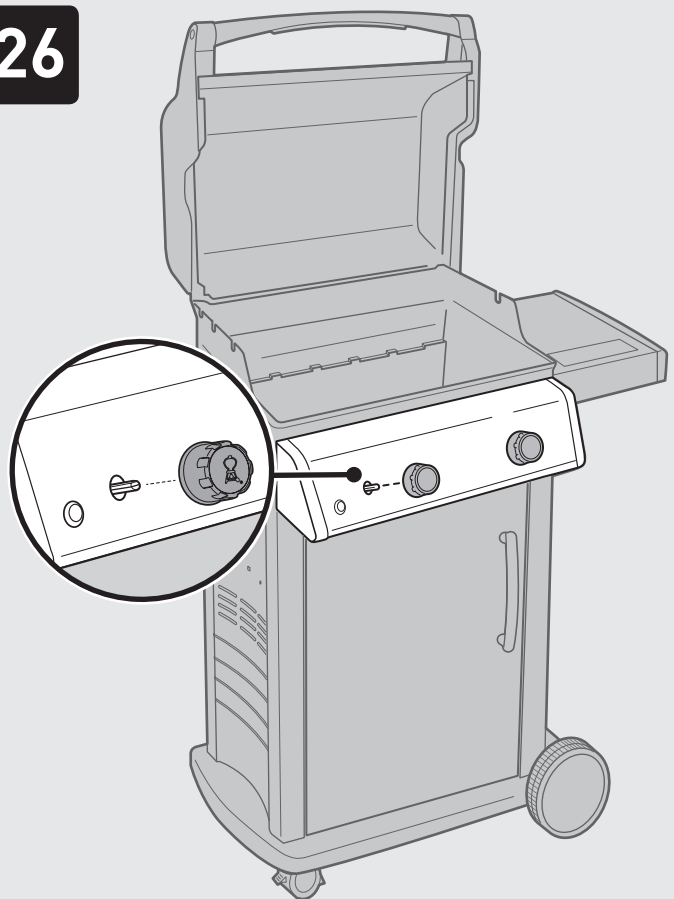
24



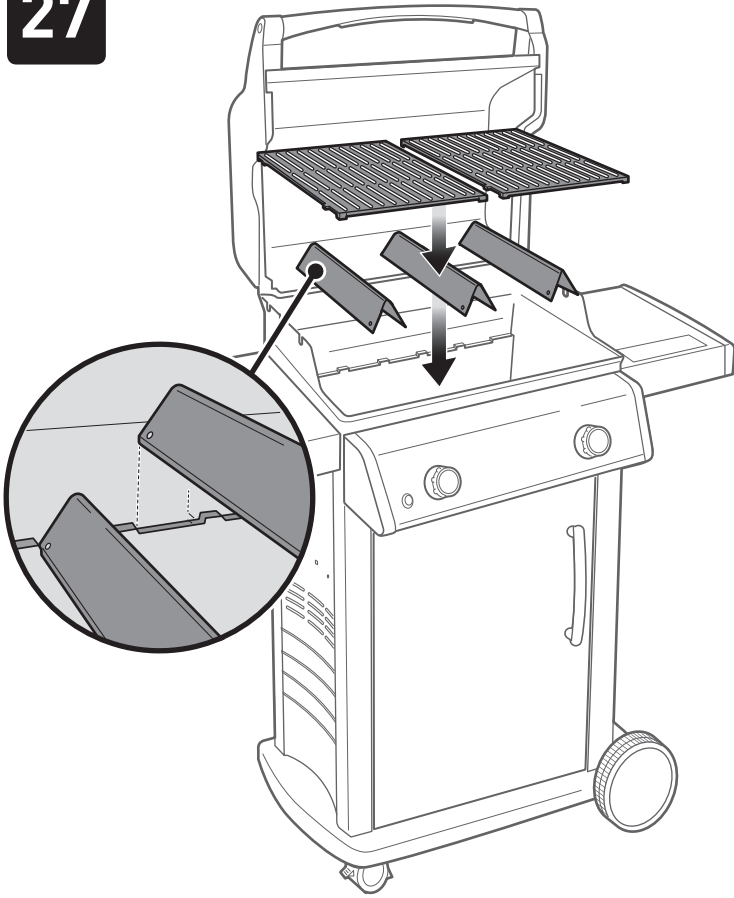
25



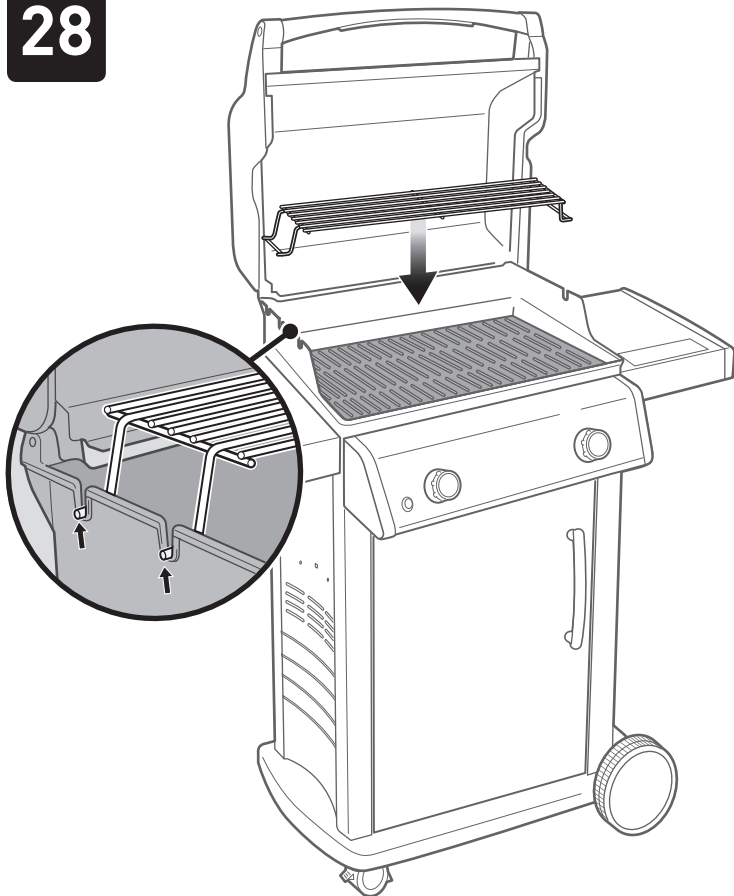
26



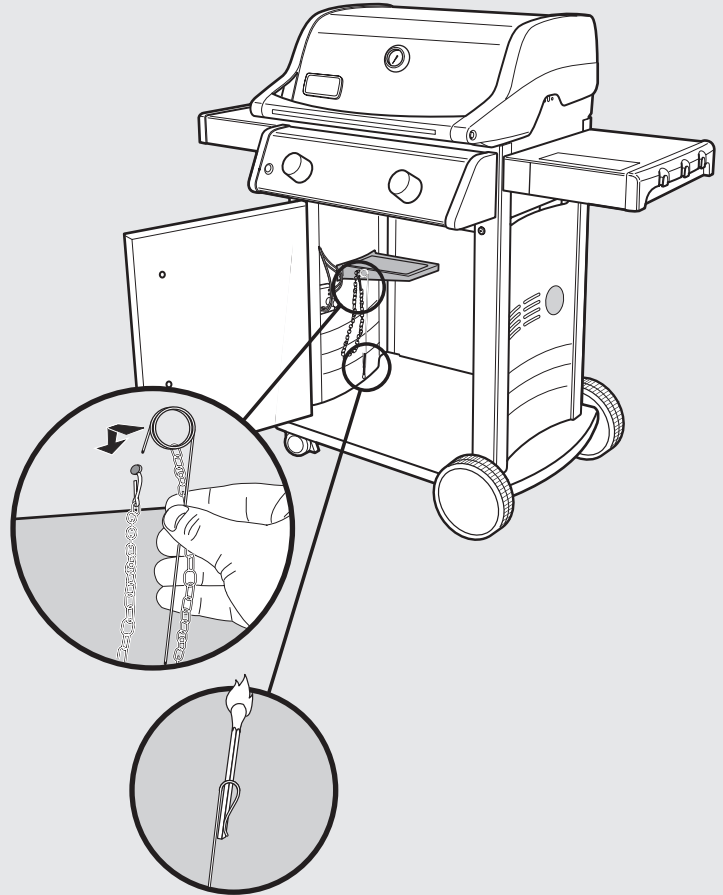
27



28



29





WEBER-STEPHEN PRODUCTS LLC
www.weber.com