

# SPiRiT™



## GAS GRILL ASSEMBLY GUIDE

310 ORIGINAL • 320 ORIGINAL

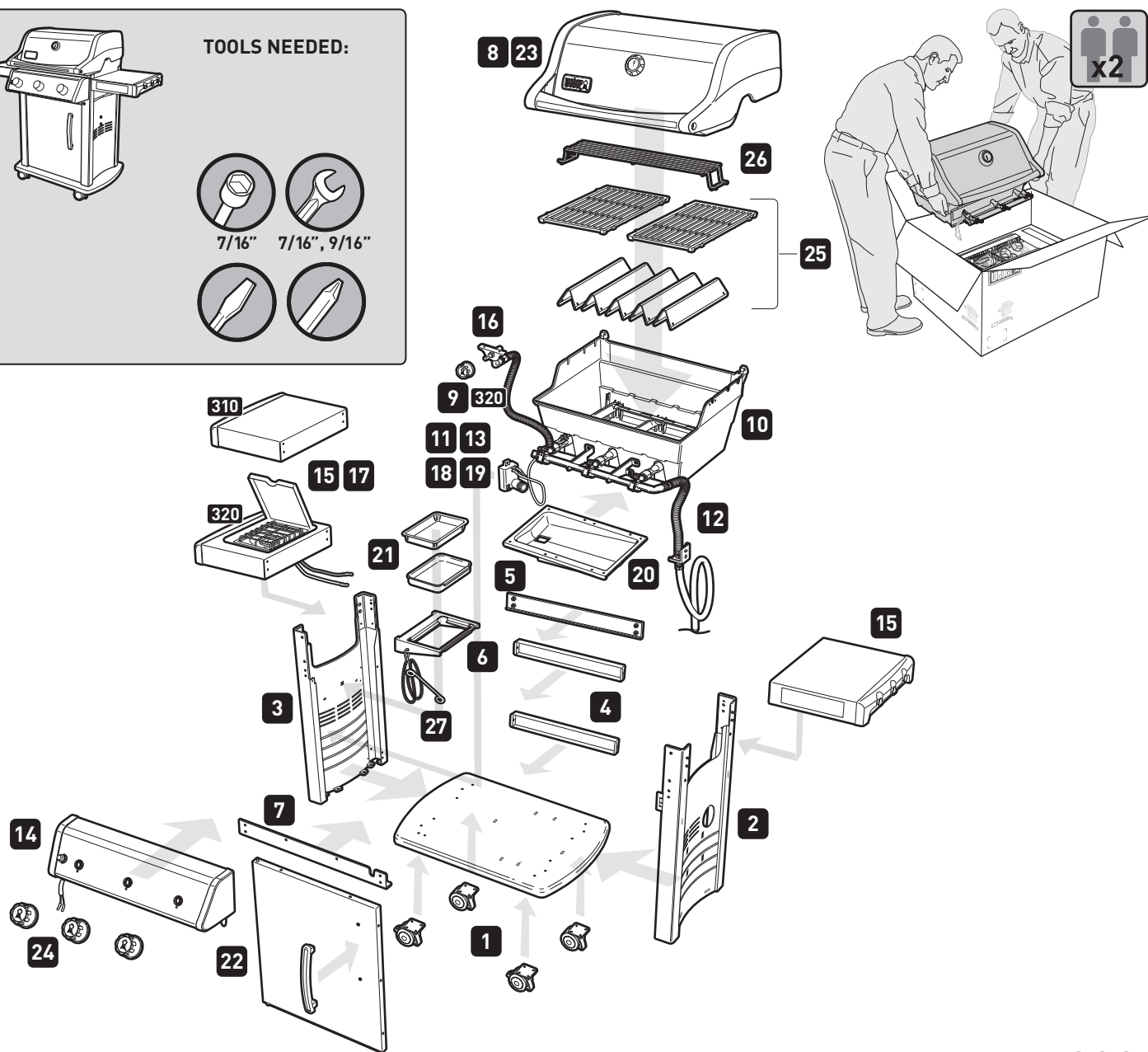
LP/NG



**TOOLS NEEDED:**



7/16" 7/16", 9/16"

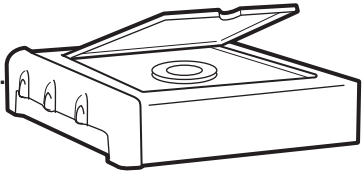


58305

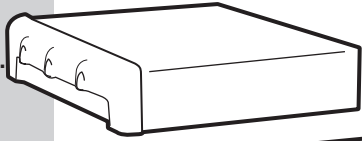
310

320

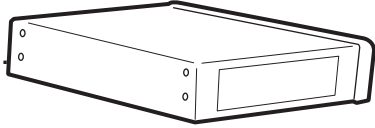
0 ..... 1



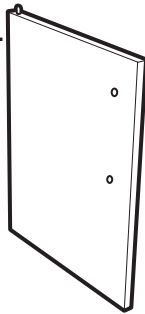
1 ..... 1



1 ..... 1



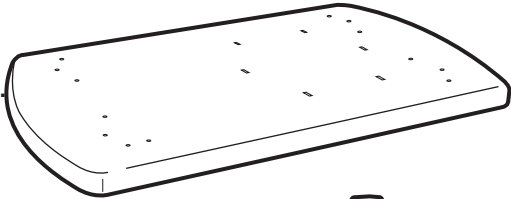
1 ..... 1



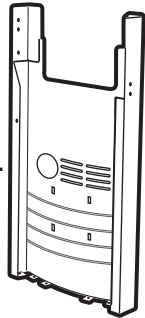
1 ..... 1



1 ..... 1



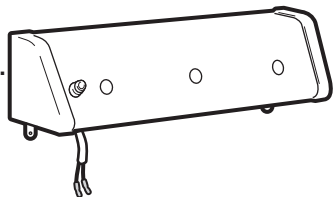
1 ..... 1



1 ..... 1



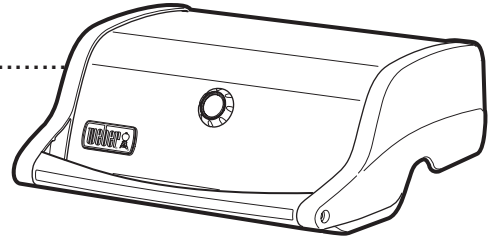
1 ..... 1



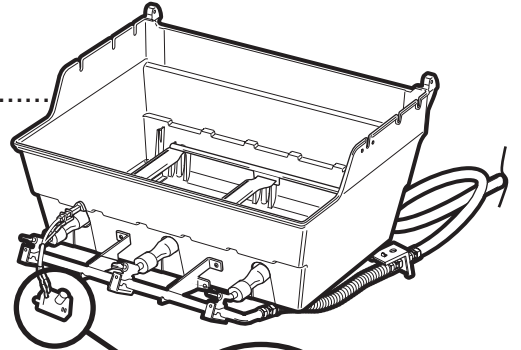
310

320

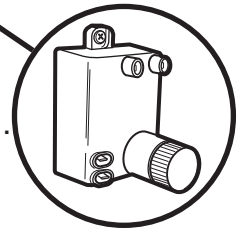
1 ..... 1



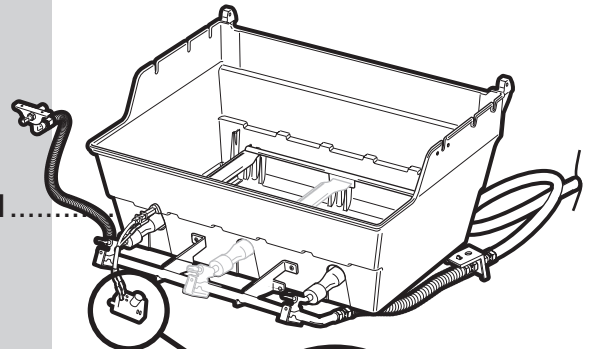
1 ..... 0



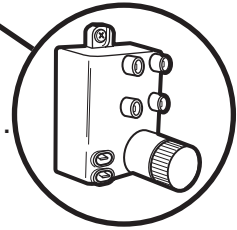
1 ..... 0



0 ..... 1



0 ..... 1



1 ..... 1



1 ..... 1



2 ..... 2



310

320

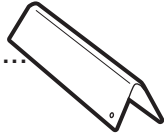
1 ..... 1



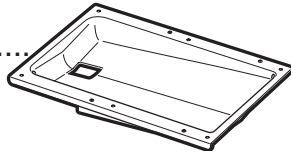
2 ..... 2



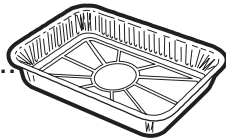
5 ..... 5



1 ..... 1



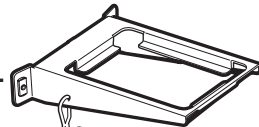
1 ..... 1



1 ..... 1



1 ..... 1



1 ..... 1



3 ..... 3



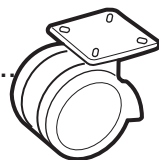
0 ..... 1



2 ..... 2



2 ..... 2

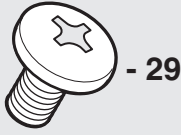


**A**



- 16

**B**



- 29



- 25



- 2

**D**



- 2



- 2

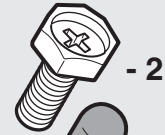


- 2

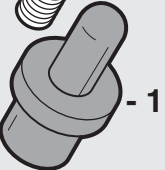


- 1

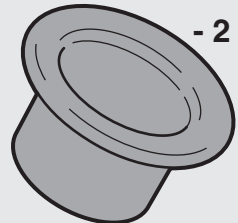
**G**



- 2



- 1



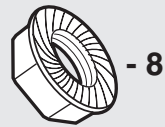
- 2

**J**

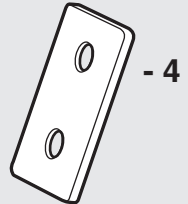


- 3

**K**



- 8



- 4

**M**



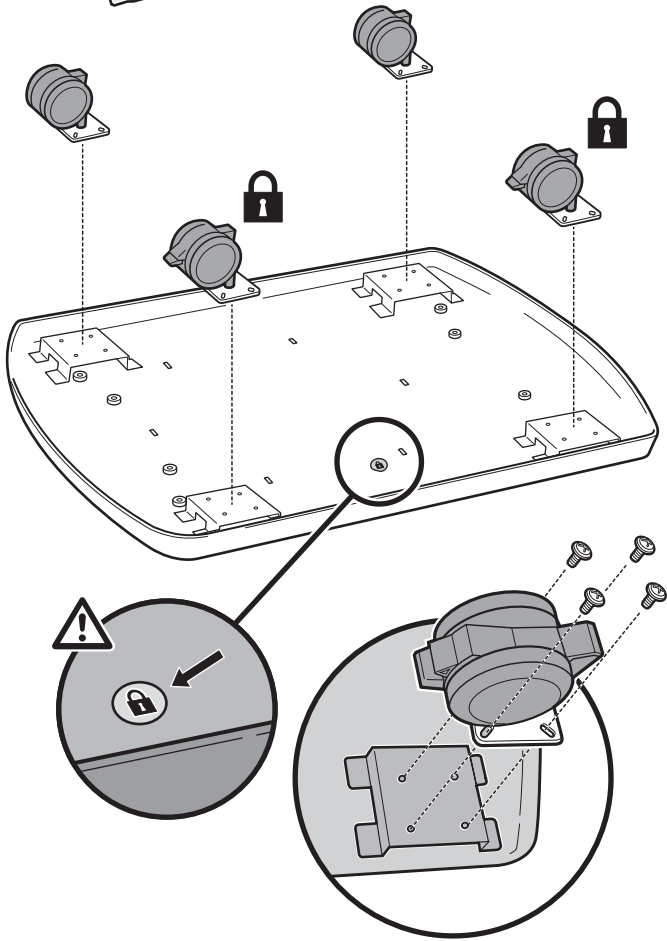
- 2



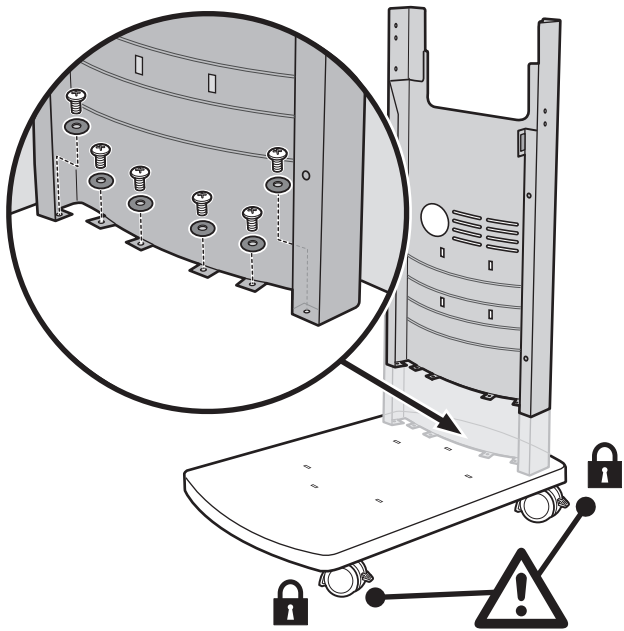
- 2

320

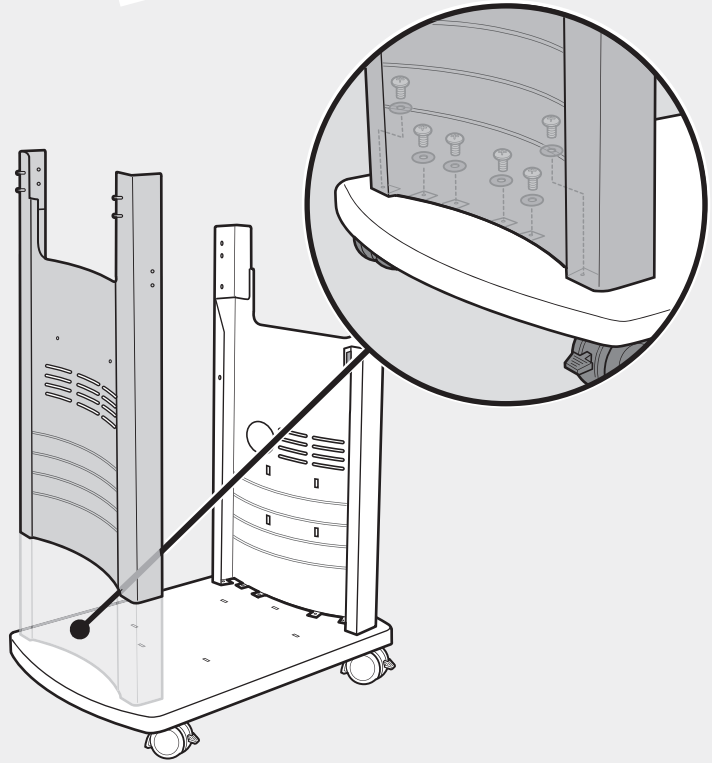
**1** **A**  - 16  - 2  - 2



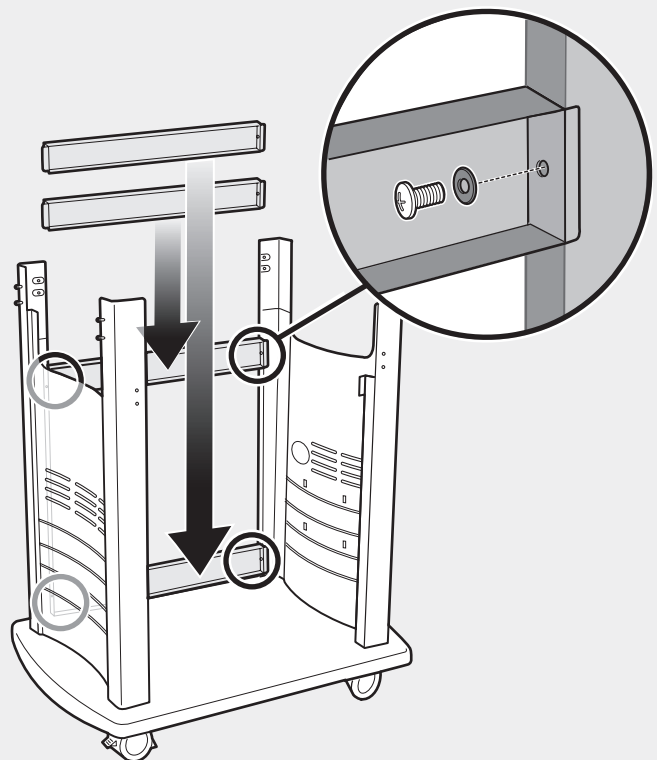
**2** **B**  - 6  - 6



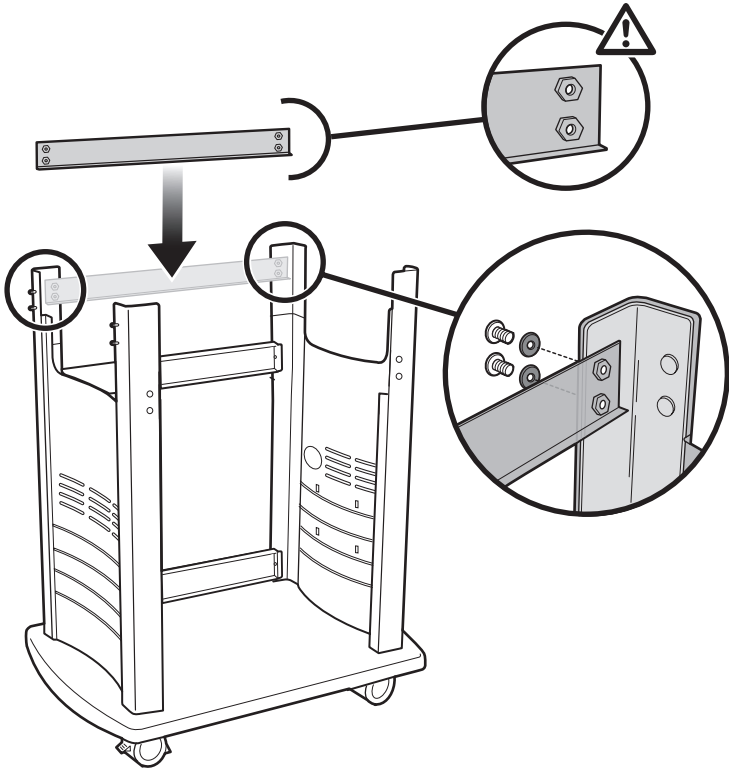
**3** **B**  - 6  - 6





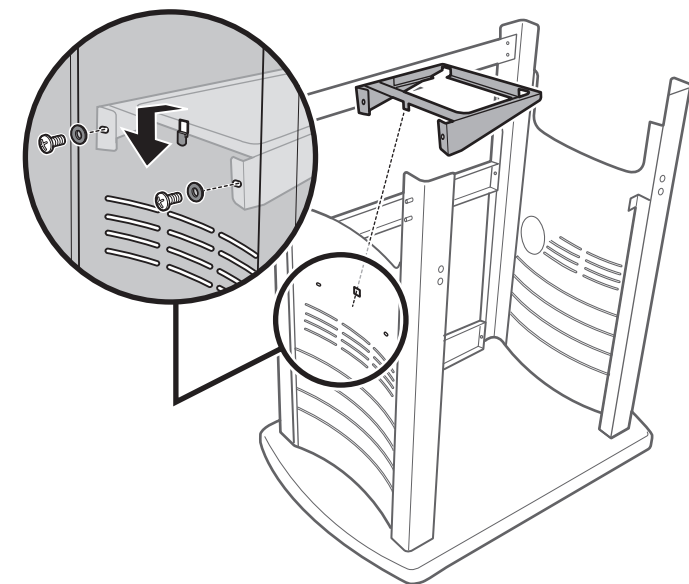
**4** **B**  - 4  - 4





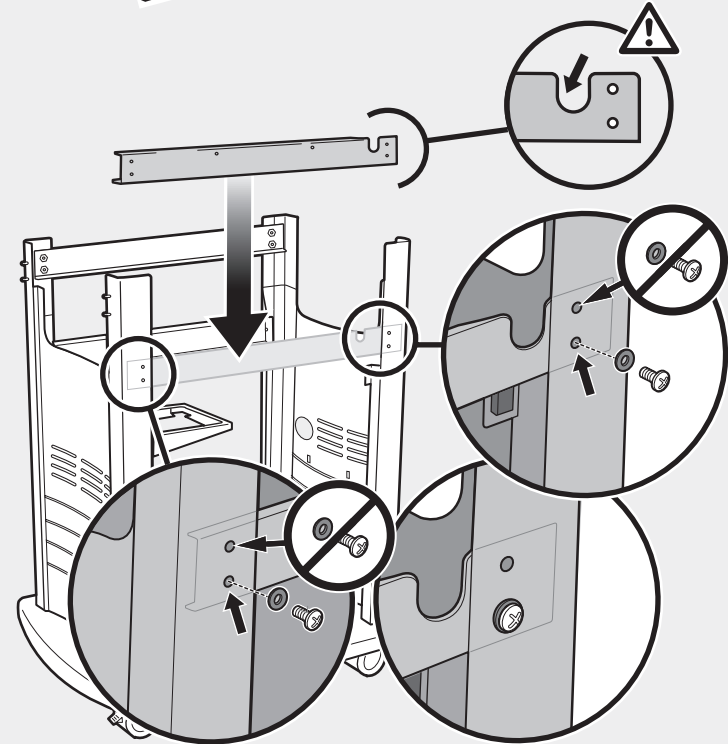
**5** **B**  -4  -4



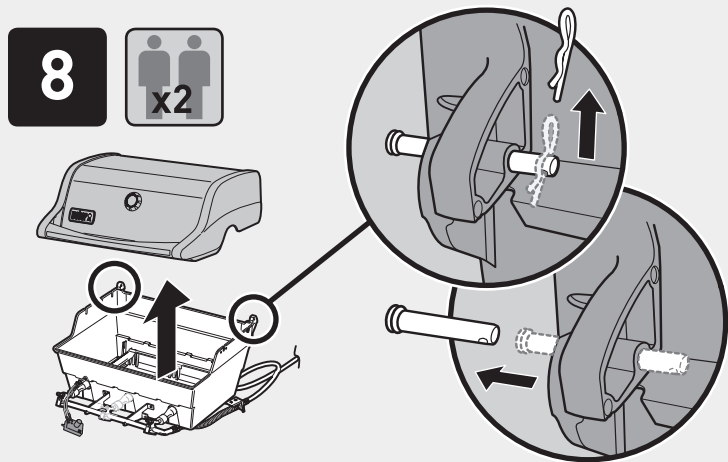
**6** **B**  -2  -2



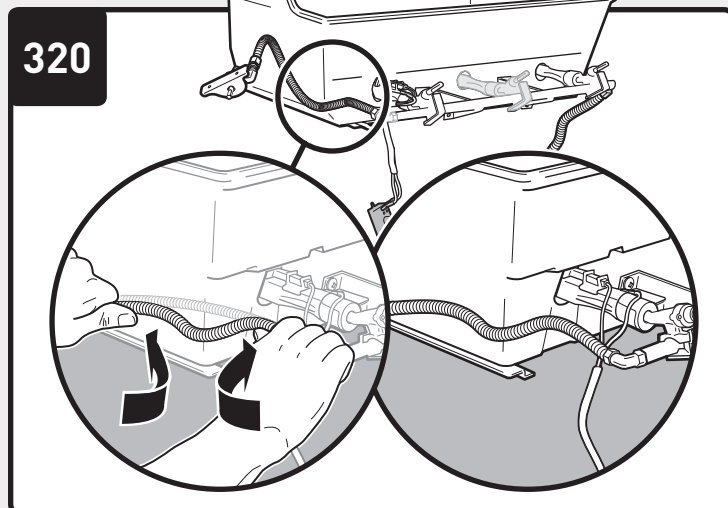
**7** **B**  -2  -2



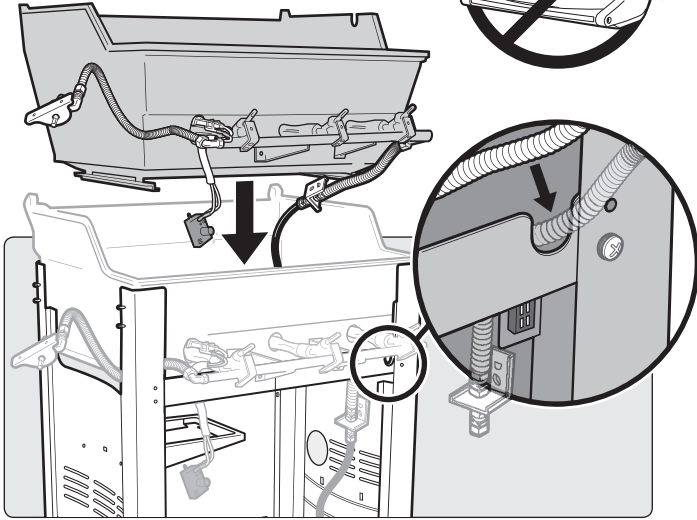
**8**  x2



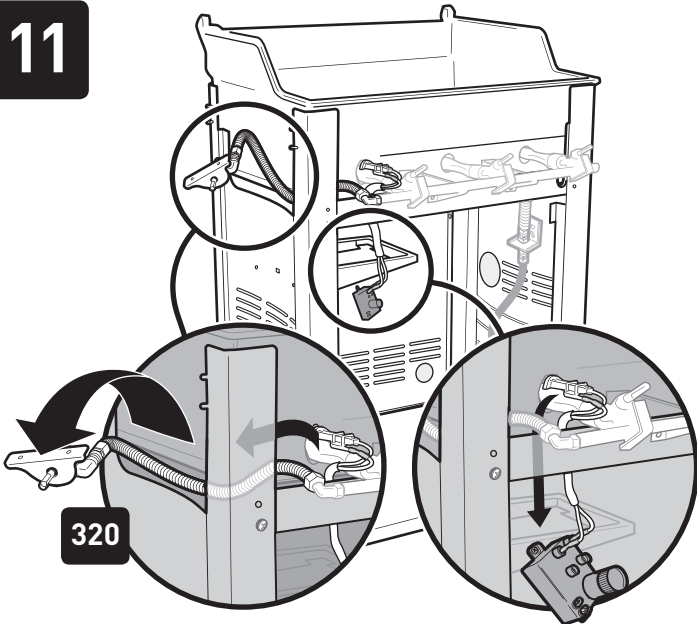
**9**



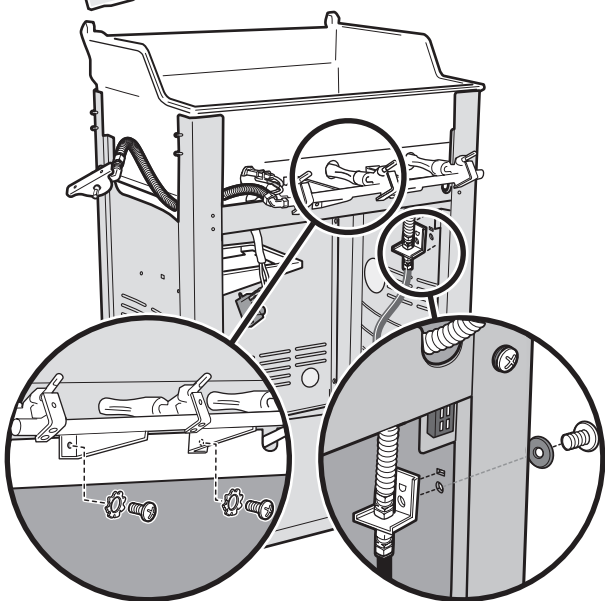
10



11

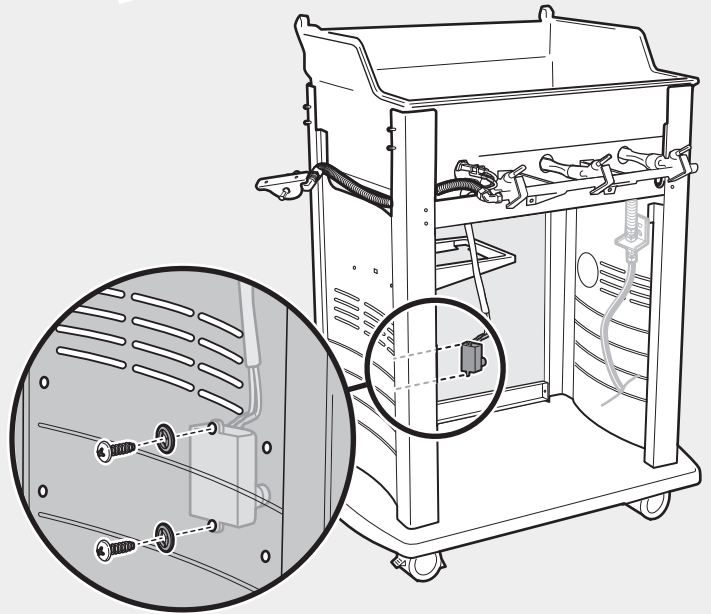


12

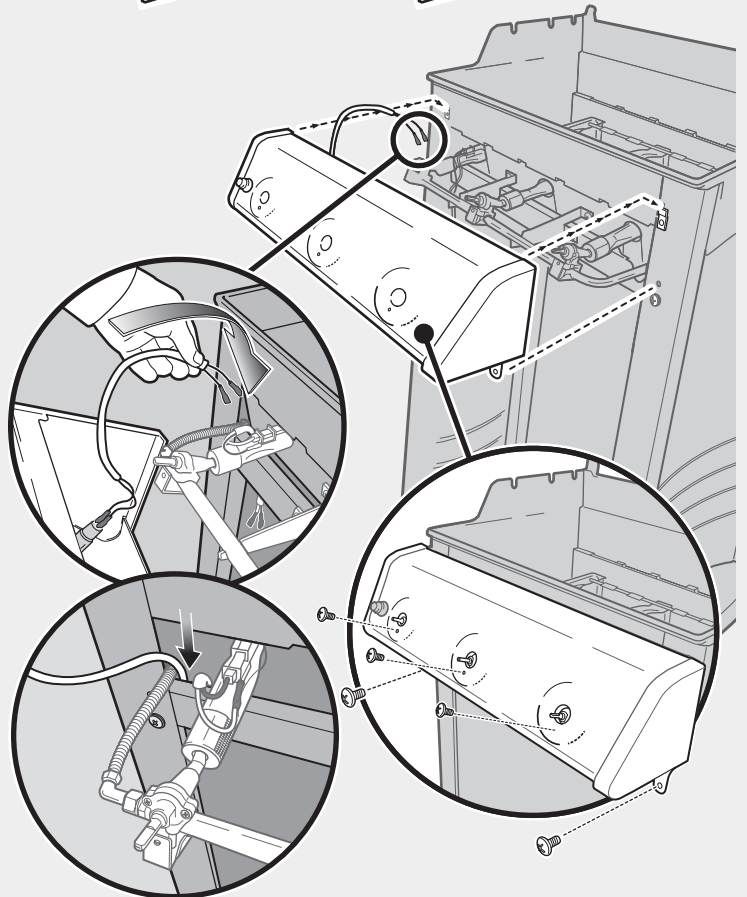
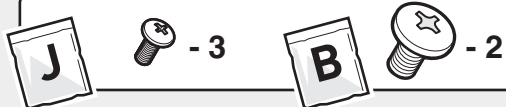


See Owner's Guide for full gas instructions.

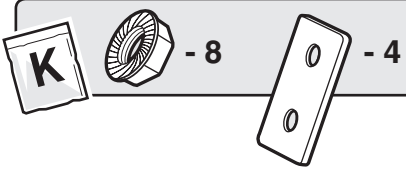
13



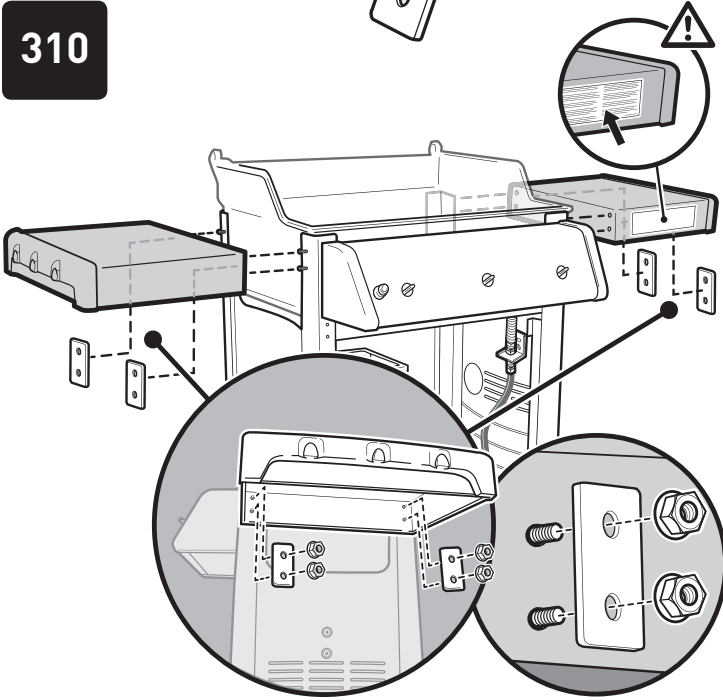
14



15



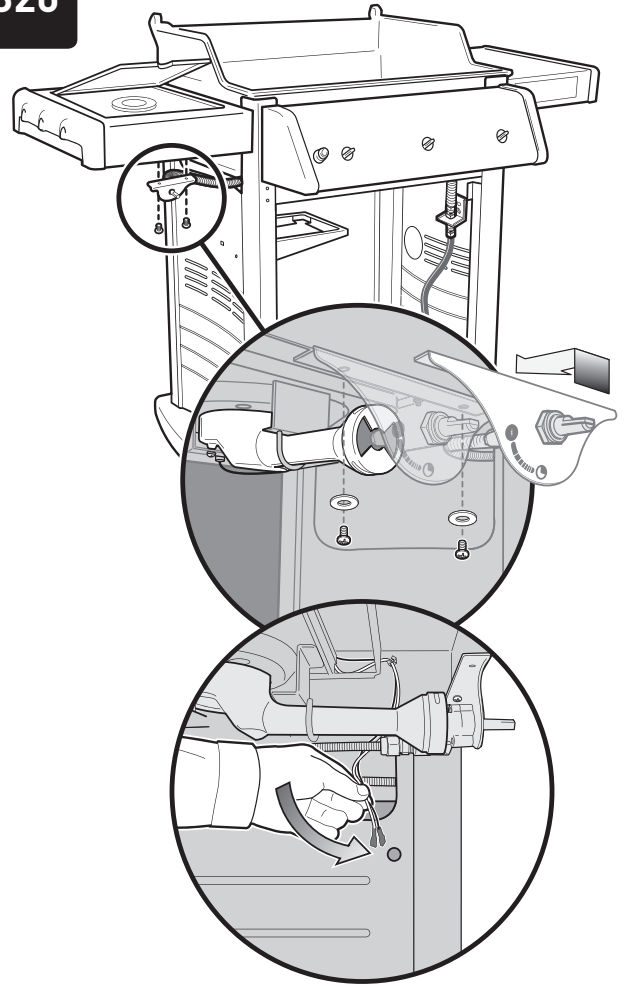
310



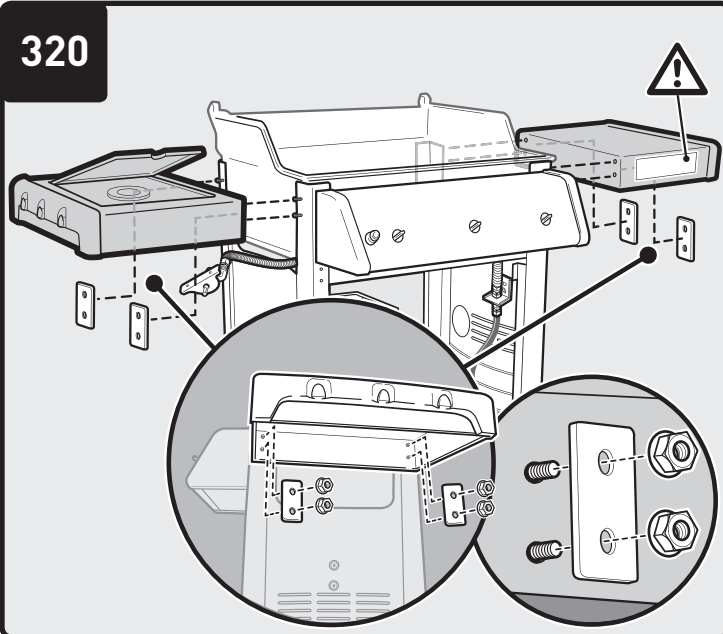
16



320

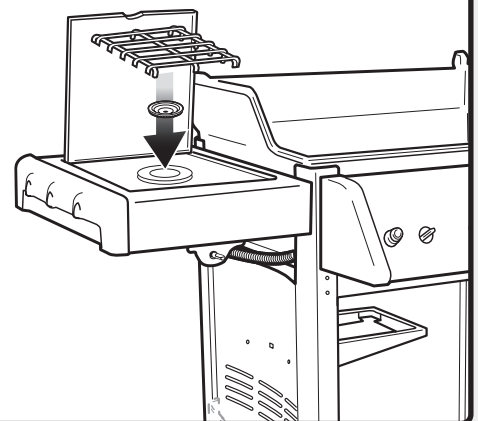


320



17

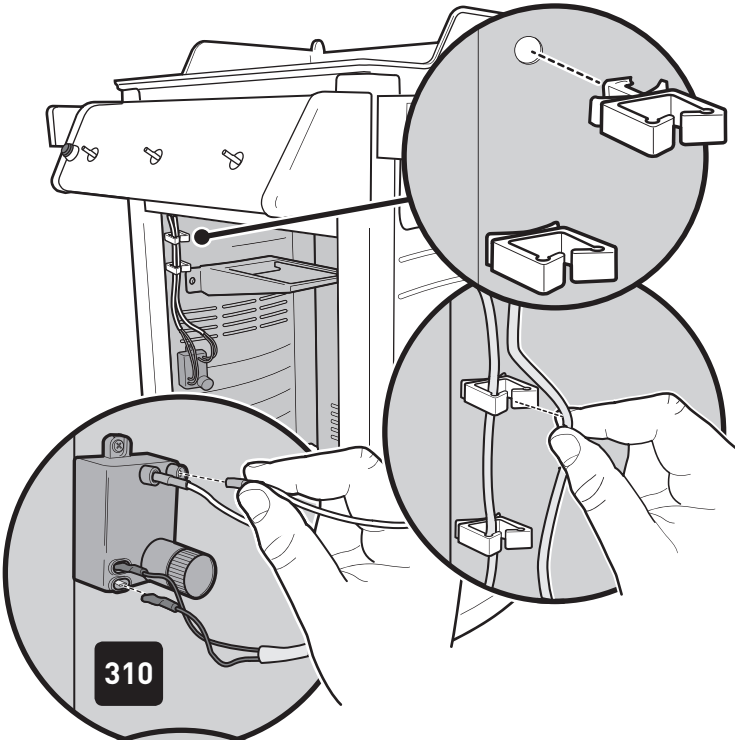
320



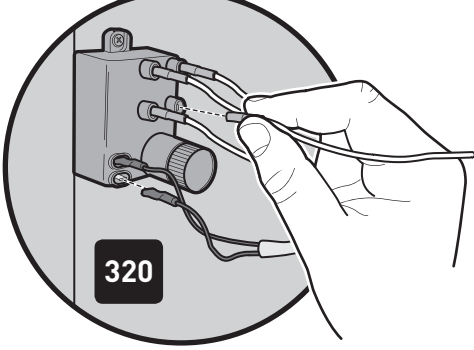
Tighten the nuts until snug. Turn only a quarter turn further. DO NOT OVER TIGHTEN.



18



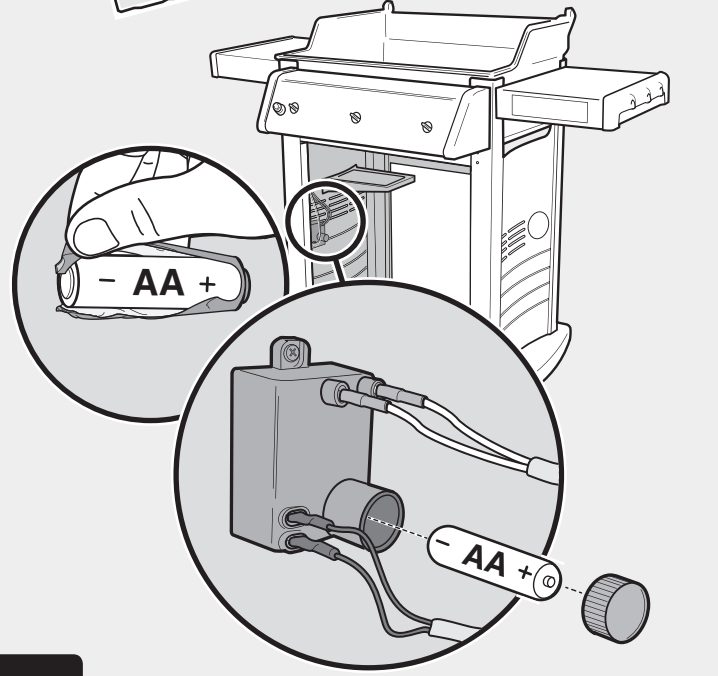
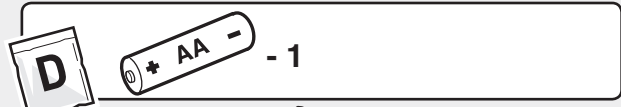
310



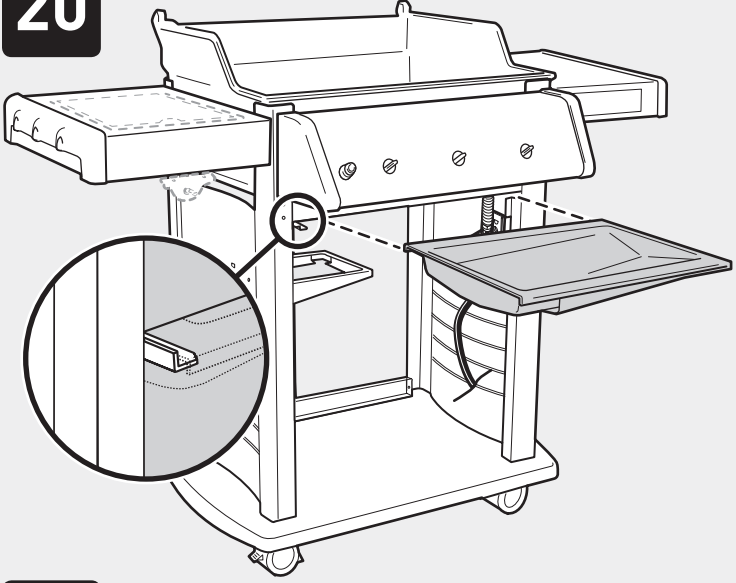
320

See Owner's Guide for the Igniter Module Wire Guide chart.

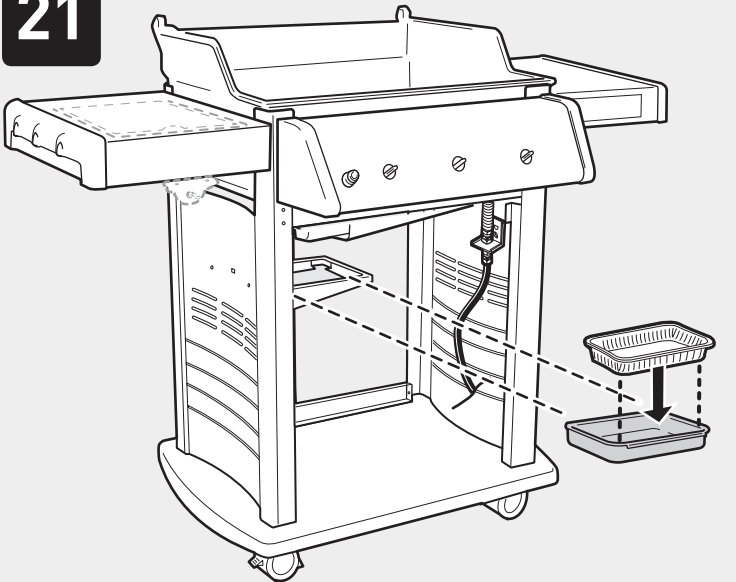
19



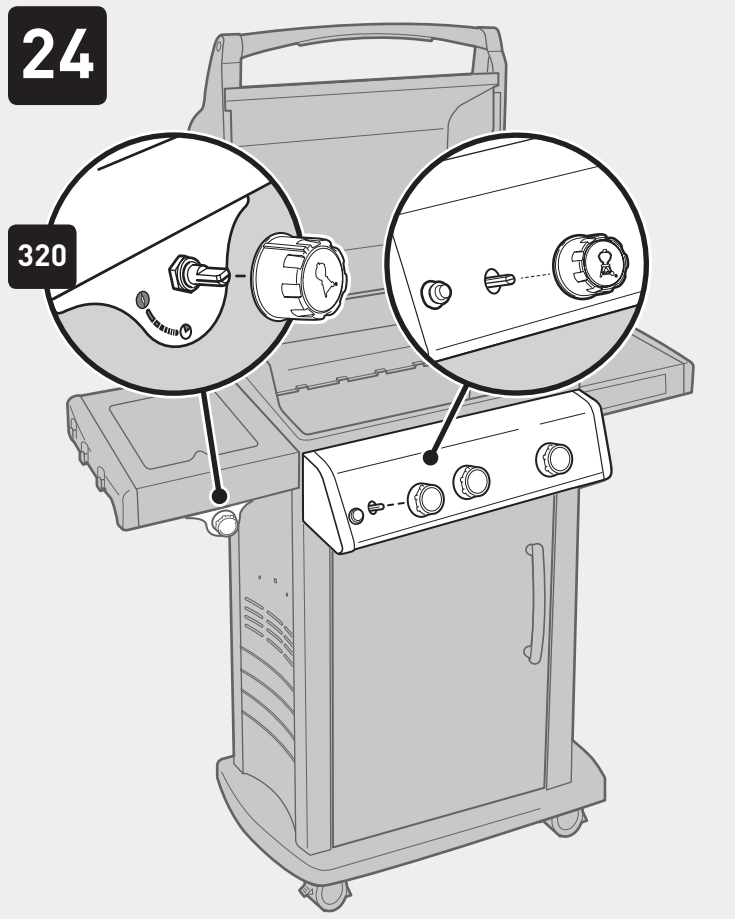
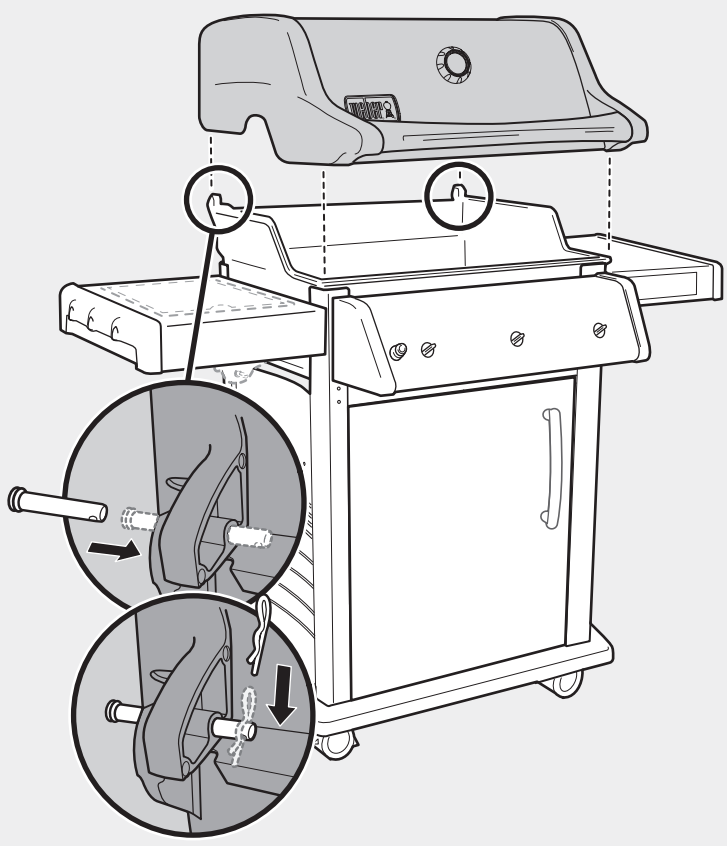
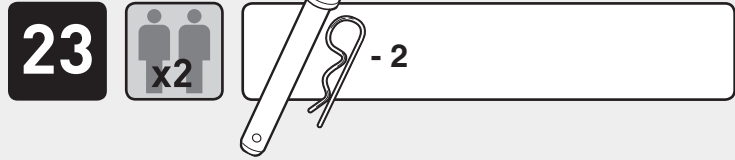
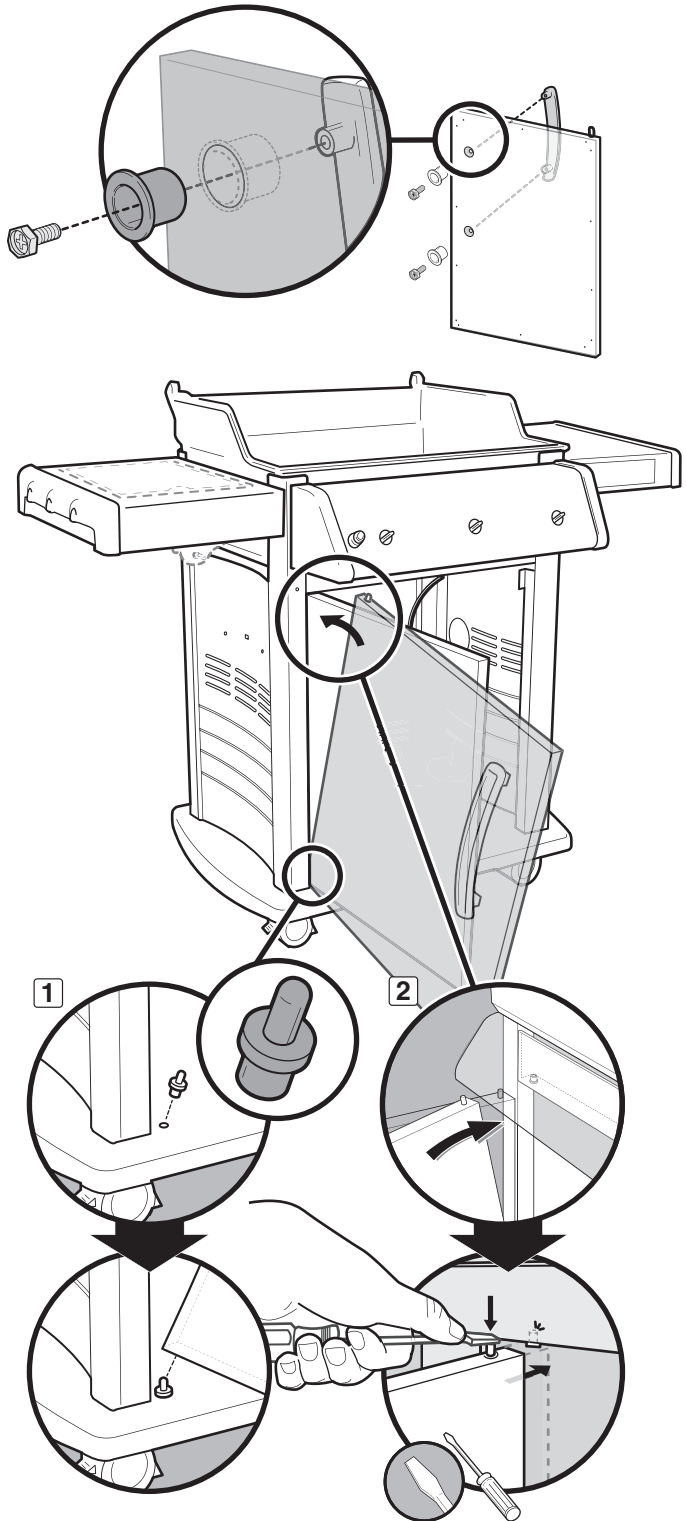
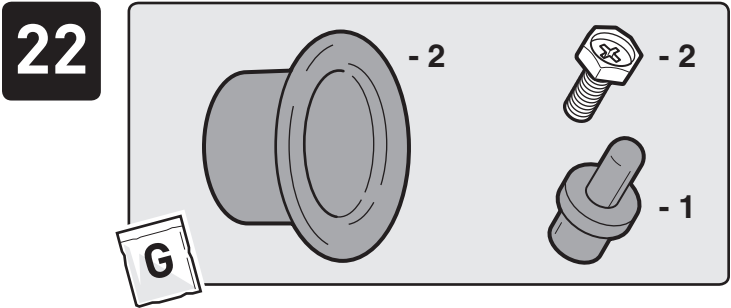
20



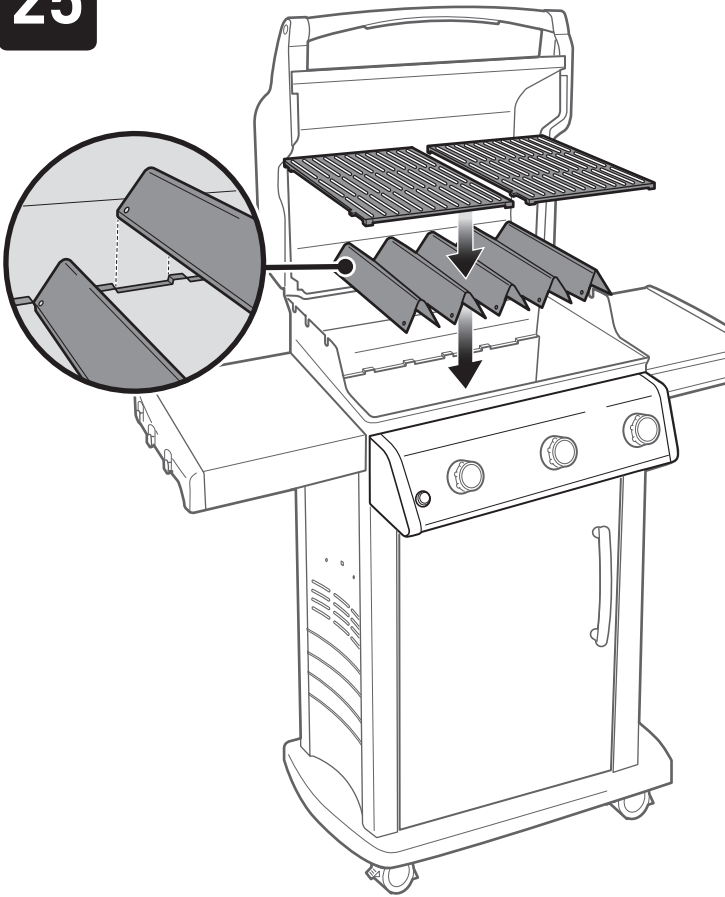
21



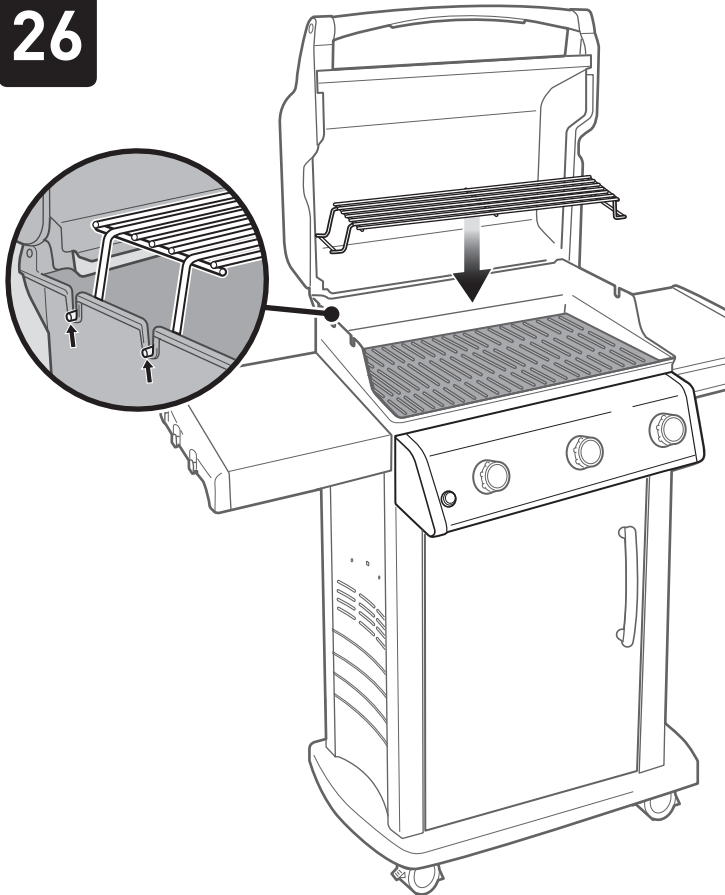




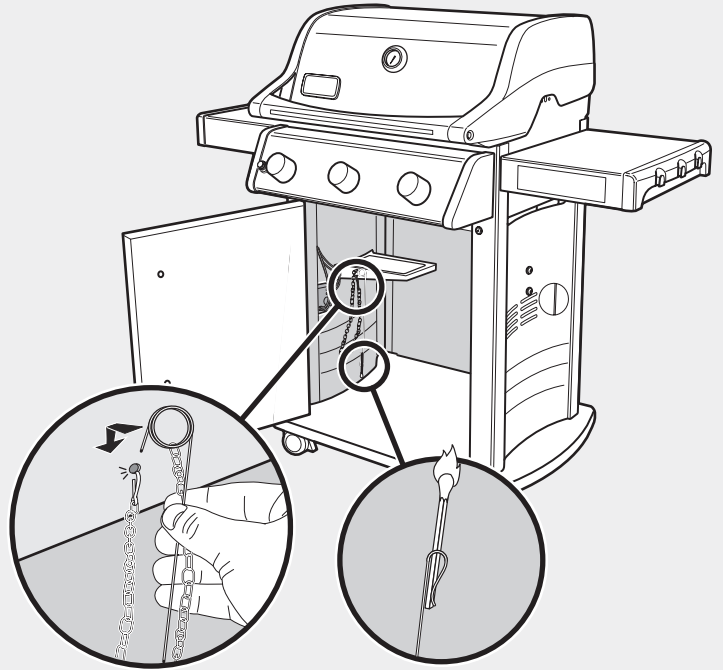
25



26



27







WEBER-STEPHEN PRODUCTS LLC  
[www.weber.com](http://www.weber.com)

© 2016 Designed and engineered by Weber-Stephen Products LLC,  
1415 S. Roselle Road, Palatine, Illinois 60067 USA.