



# PERFORMER ASSEMBLY GUIDE

Read Owner's Guide before using the barbecue.

22 inch  
(57 cm)

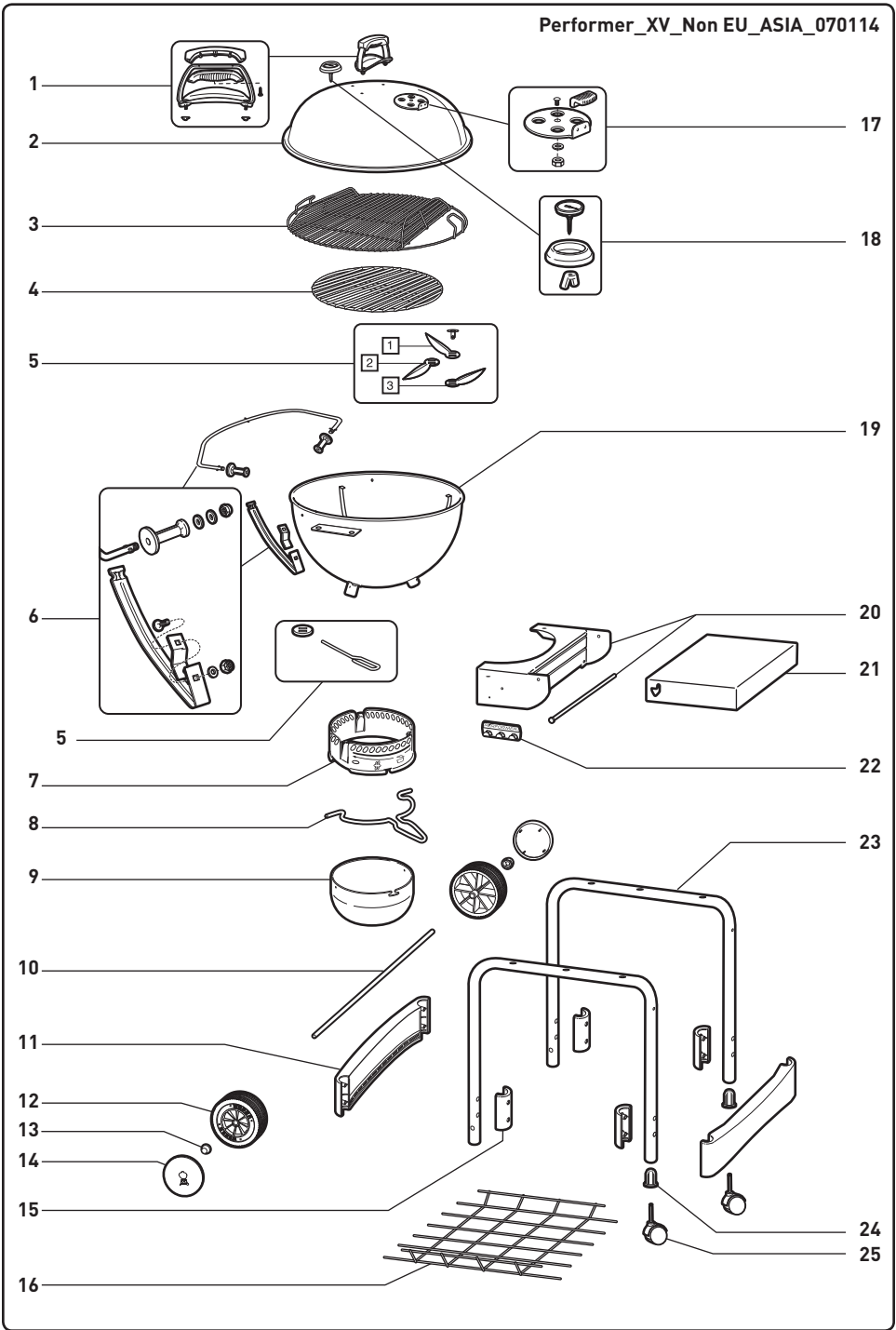


54992

Non EU\_ASIA 03/02/18

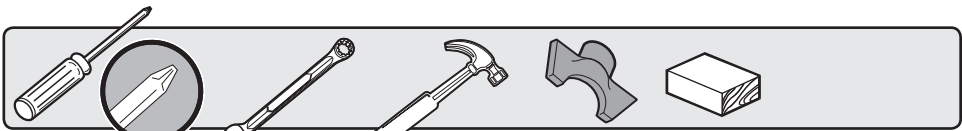
# EXPLODED VIEW

Performer\_XV\_Non EU\_ASIA\_070114

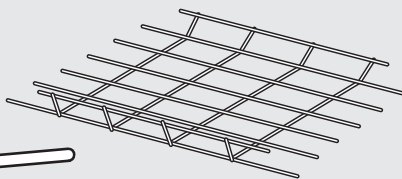
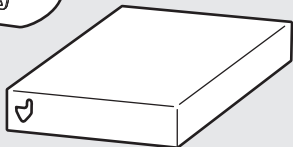
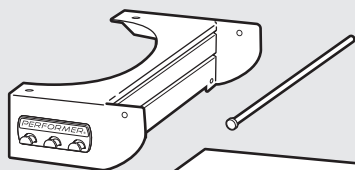
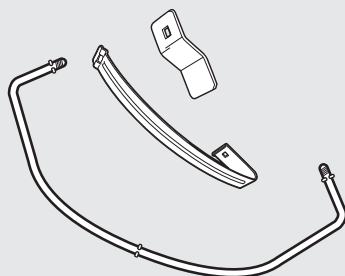
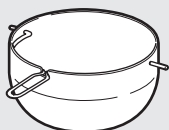
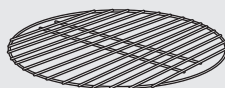
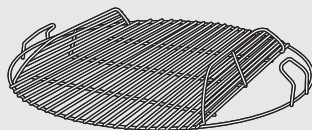
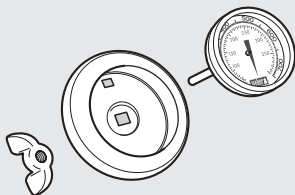
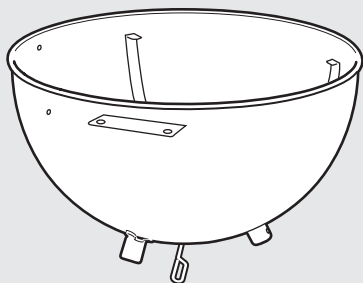
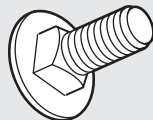
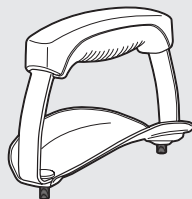
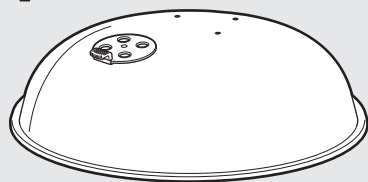


## EXPLODED VIEW LIST

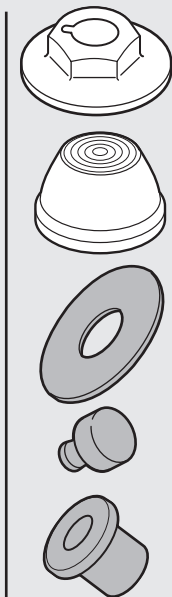
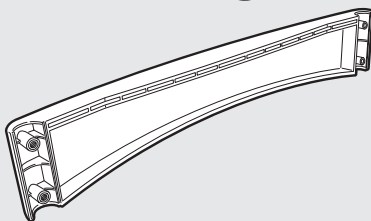
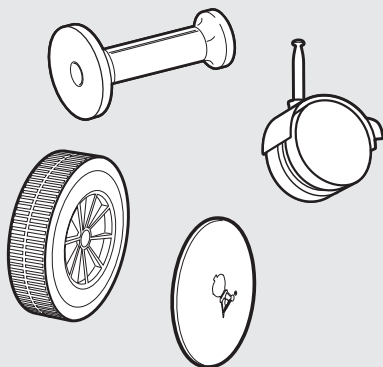
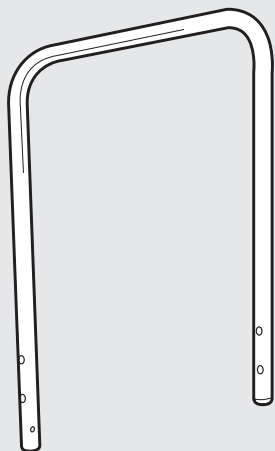
1. Lid Handle Assembly
2. Lid
3. Hinged Cooking Grate
4. Charcoal Grate
5. ONE-TOUCH Cleaning System
6. TUCK-AWAY Lid Holder & Lower Support Assembly
7. Ash Catcher Ring
8. Ash Catcher Handle
9. High-Capacity Ash Catcher
10. Axle
11. Leg Frame Bracket
12. Wheel
13. Hub Cap
14. Wheel Cover
15. Leg Frame Bracket Clamp
16. Bottom Rack
17. Lid Damper Assembly
18. Thermometer Assembly
19. Bowl
20. Fold-Down Assembly
21. Fold-Down Table
22. Tool Holder
23. Leg Frame
24. Caster Insert
25. Locking Caster



1-



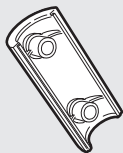
2-



3-



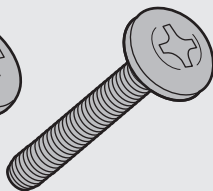
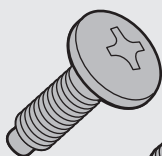
4-



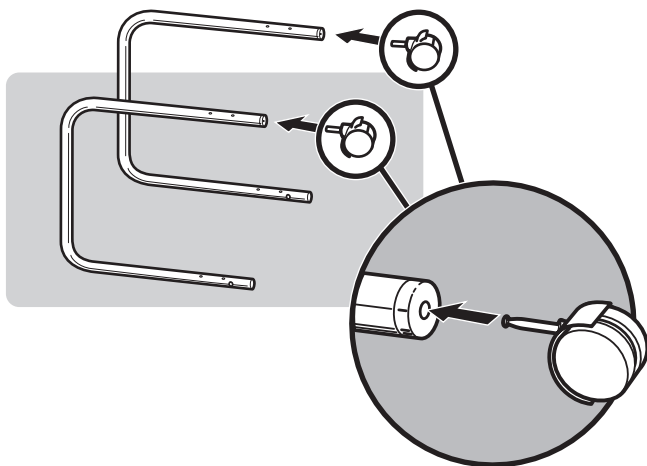
5-



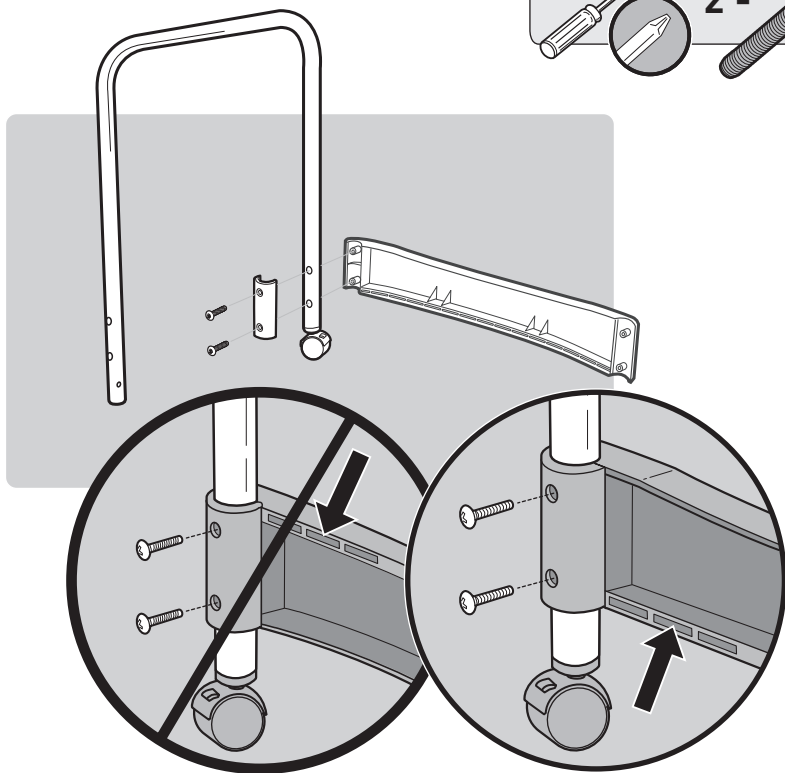
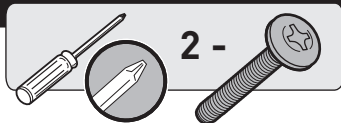
8-



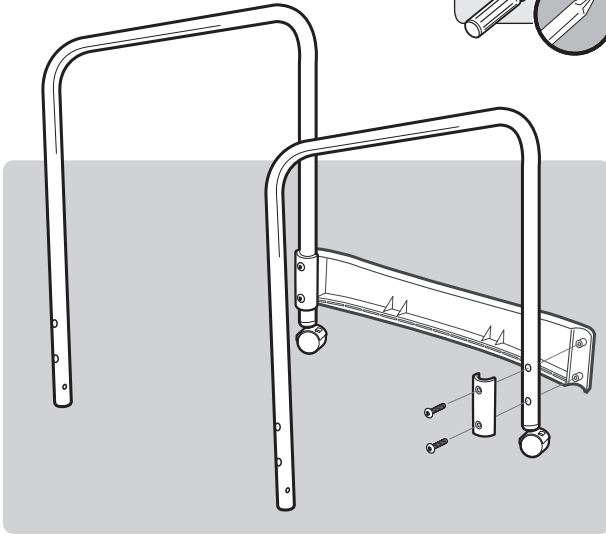
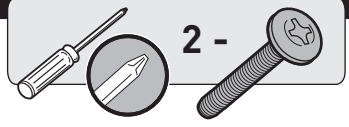
1



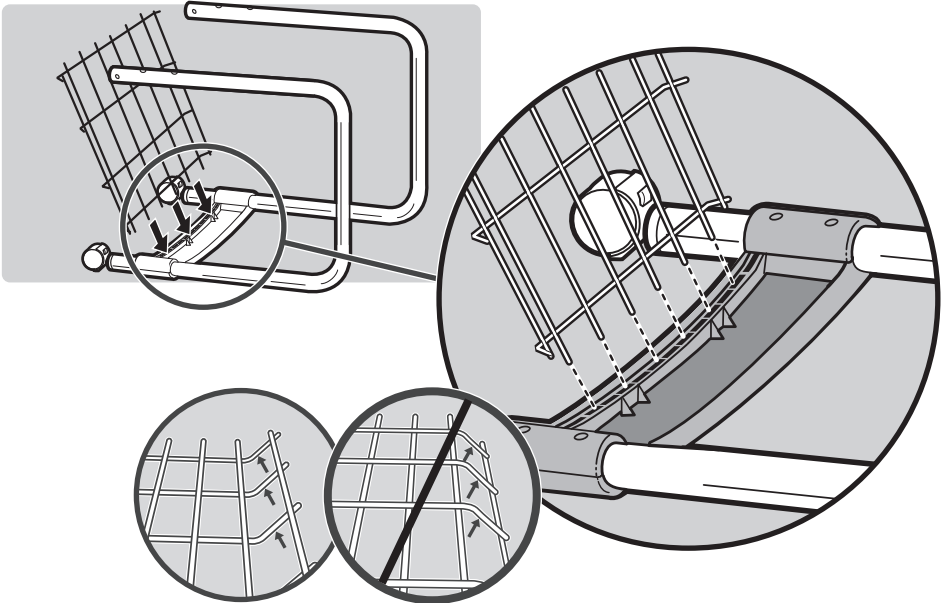
2



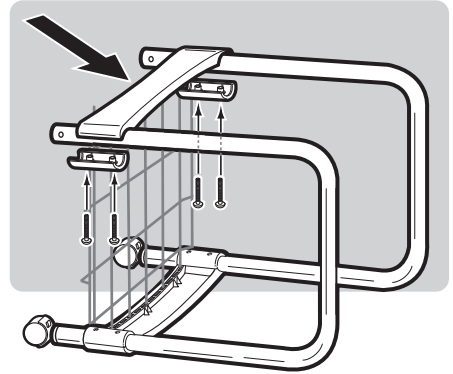
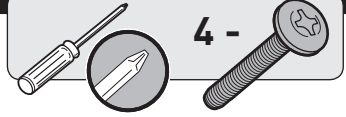
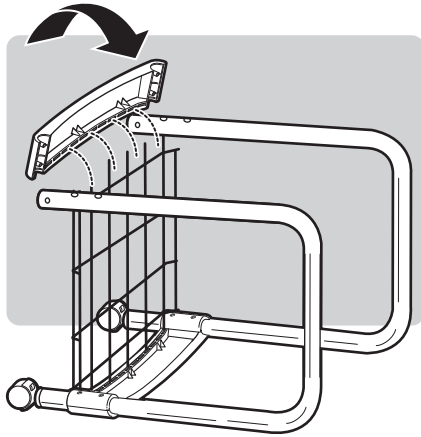
3



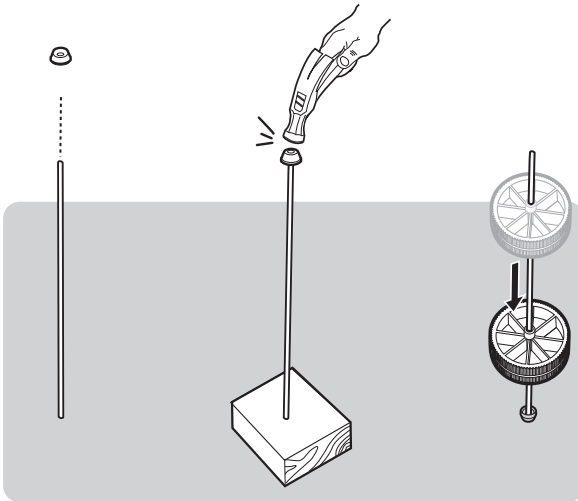
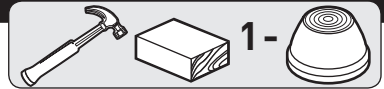
4



5

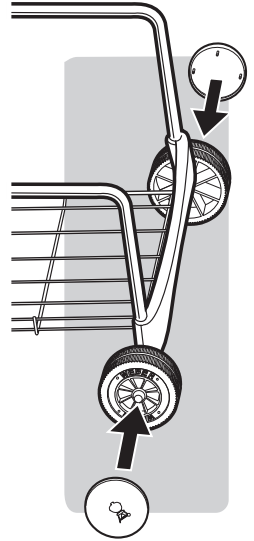
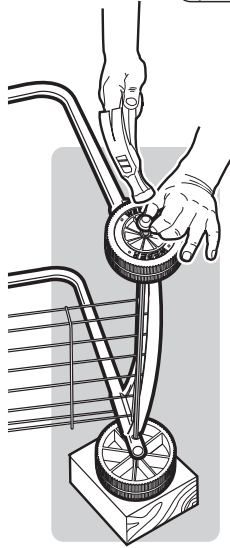
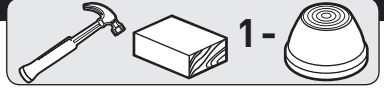
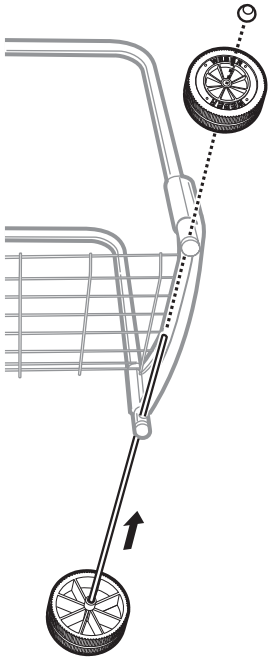


6

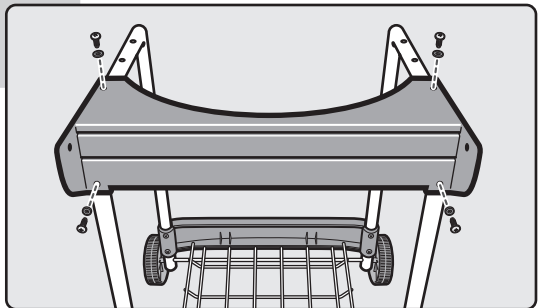
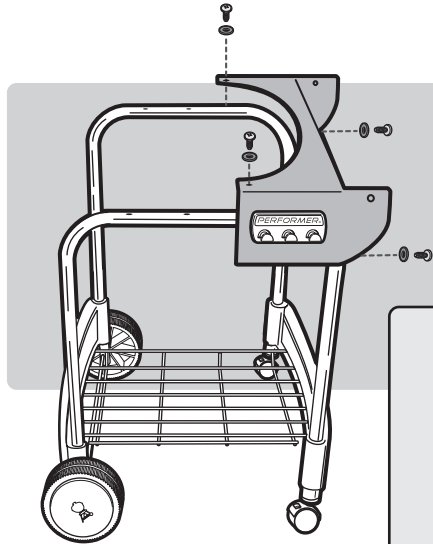




7

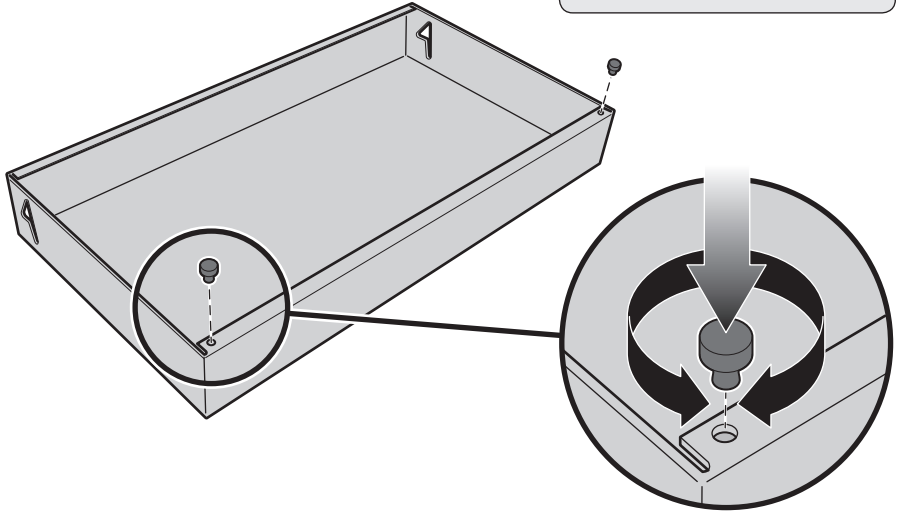


8



9

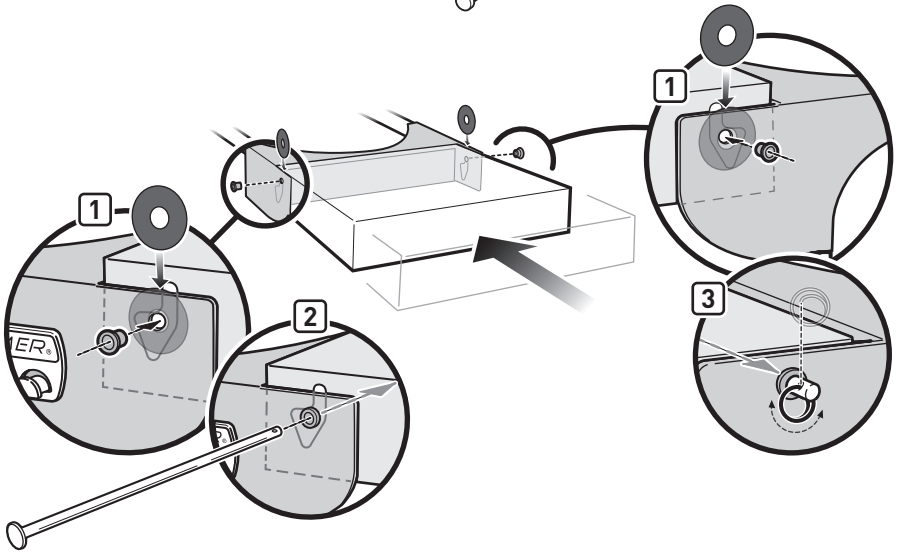
2 - 



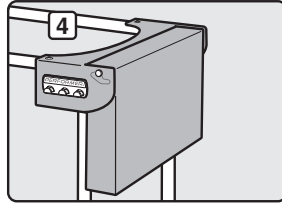
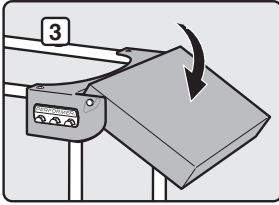
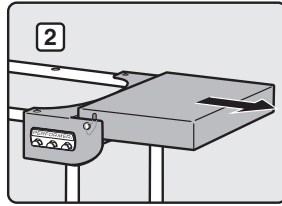
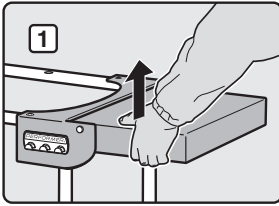
10

2 - 

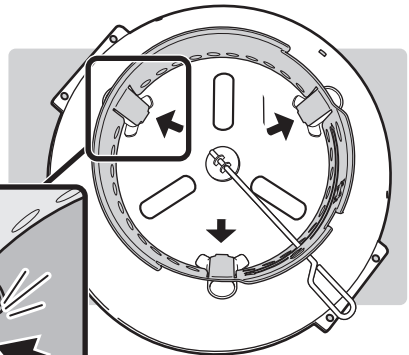
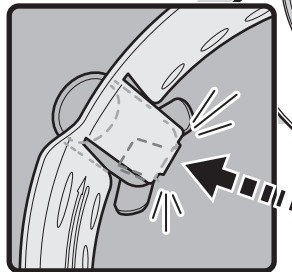
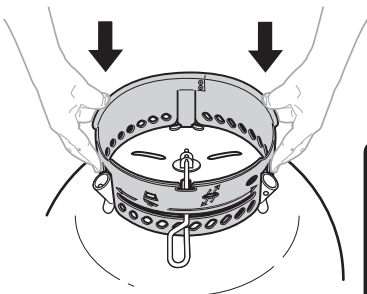
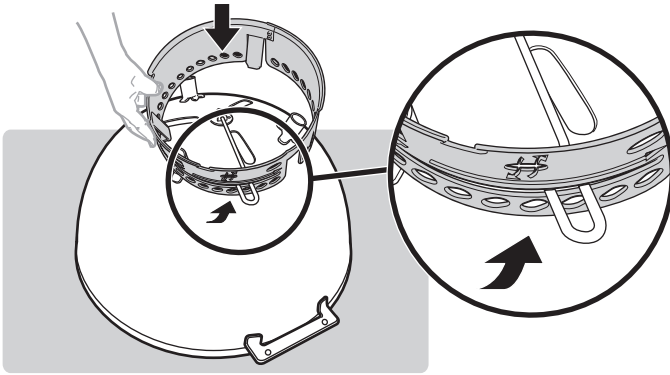
2 -  



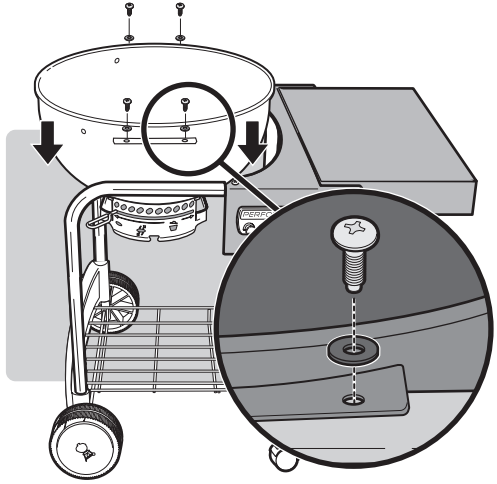
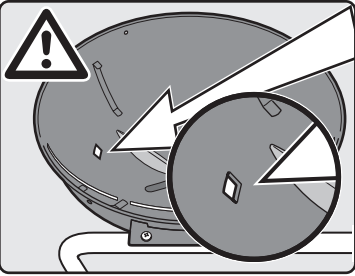
# 11



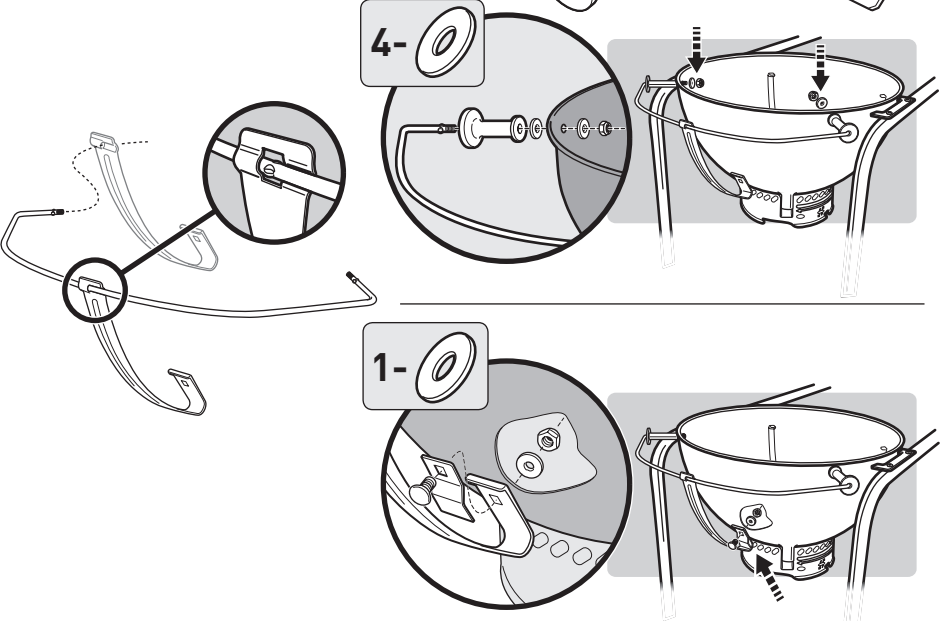
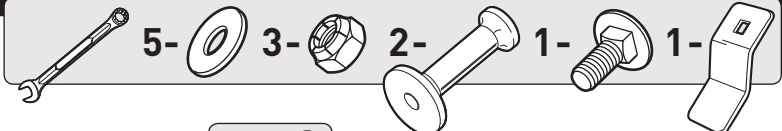
# 12



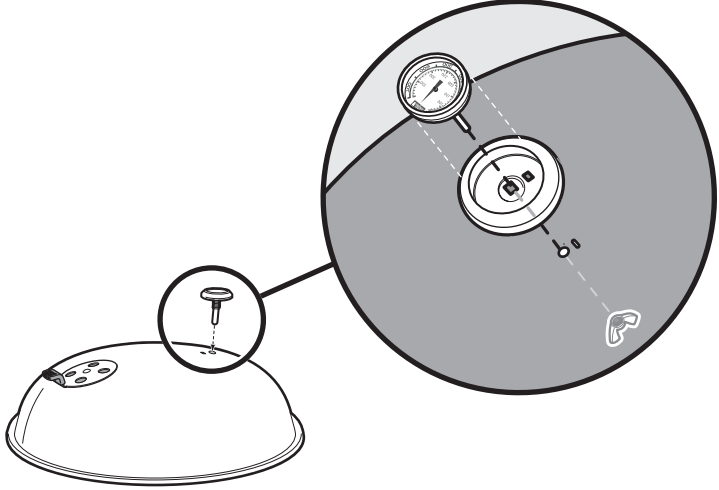
# 13



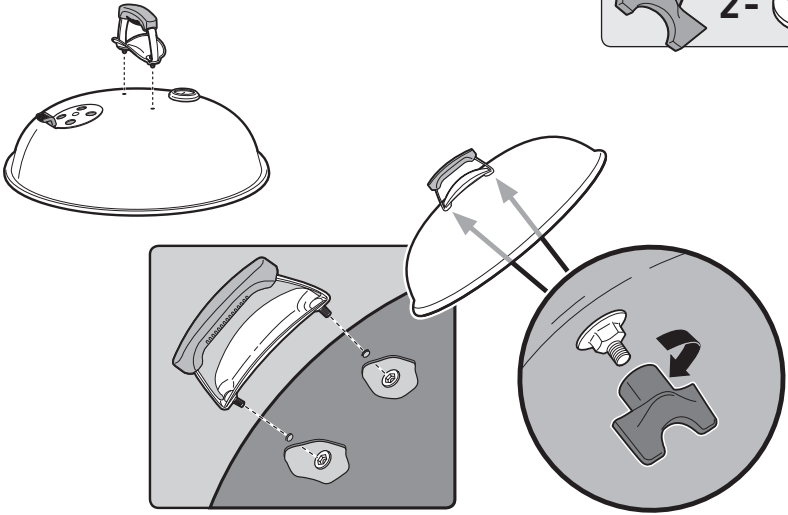
# 14



15

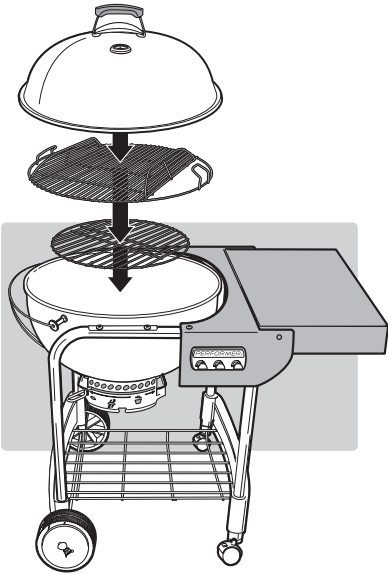


16

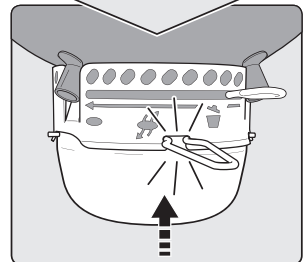
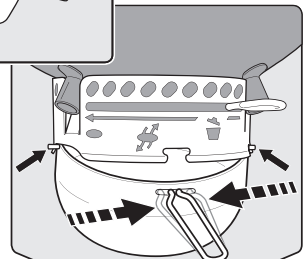
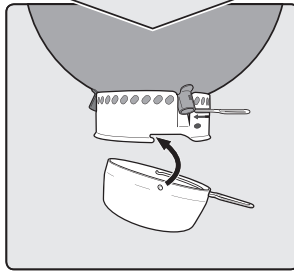
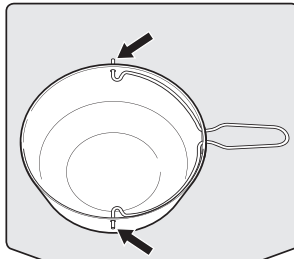
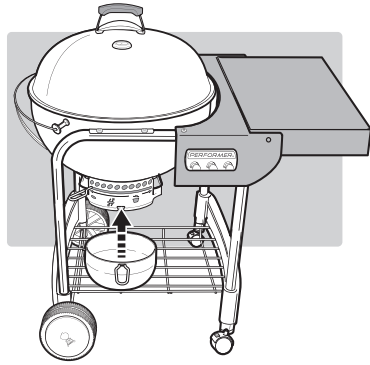


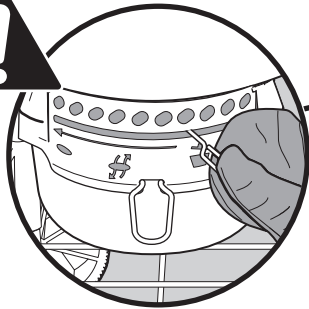
⚠ DO NOT OVER TIGHTEN.

17

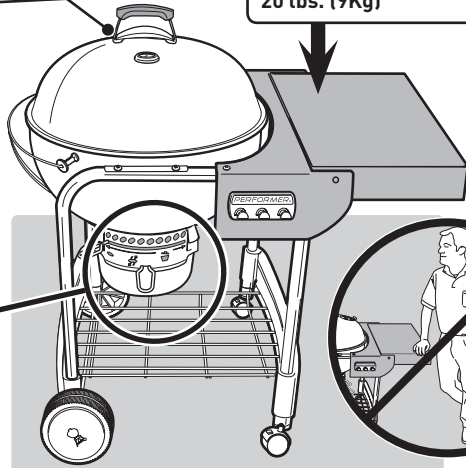


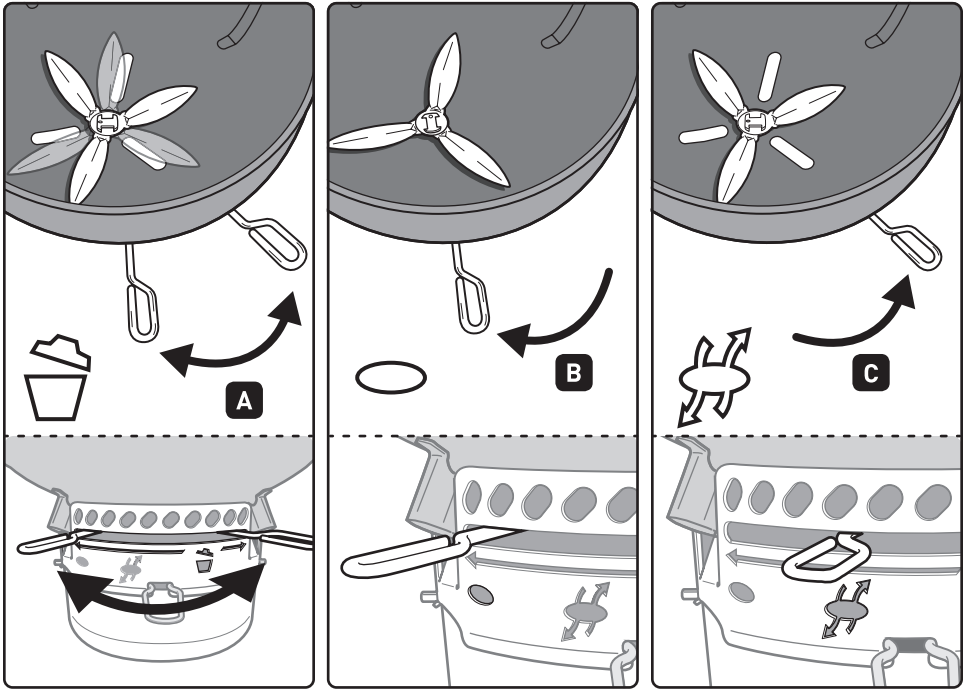
18





Maximum Table Load:  
20 lbs. (9Kg)





A - Clear ashes B - Vents closed C - Vents open

**⚠ WARNING:** When using liquid starters always check ash catcher before lighting. Fluid can collect in the ash catcher and could ignite, resulting in a fire below the bowl. Remove any starting fluid from the ash catcher before lighting charcoal.



Weber-Stephen Products LLC  
[www.weber.com](http://www.weber.com)

© 2018 Designed and engineered by Weber-Stephen Products LLC,  
 1415 S. Roselle Road, Palatine, Illinois 60067 USA.