

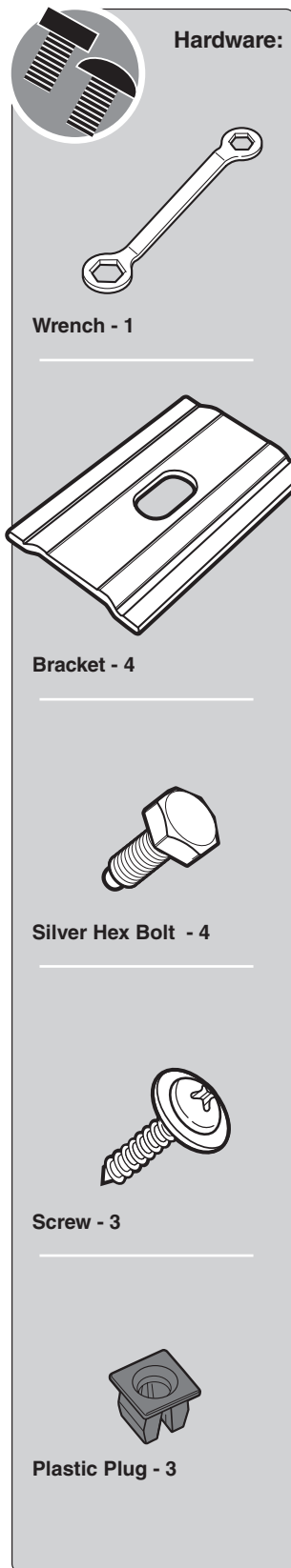
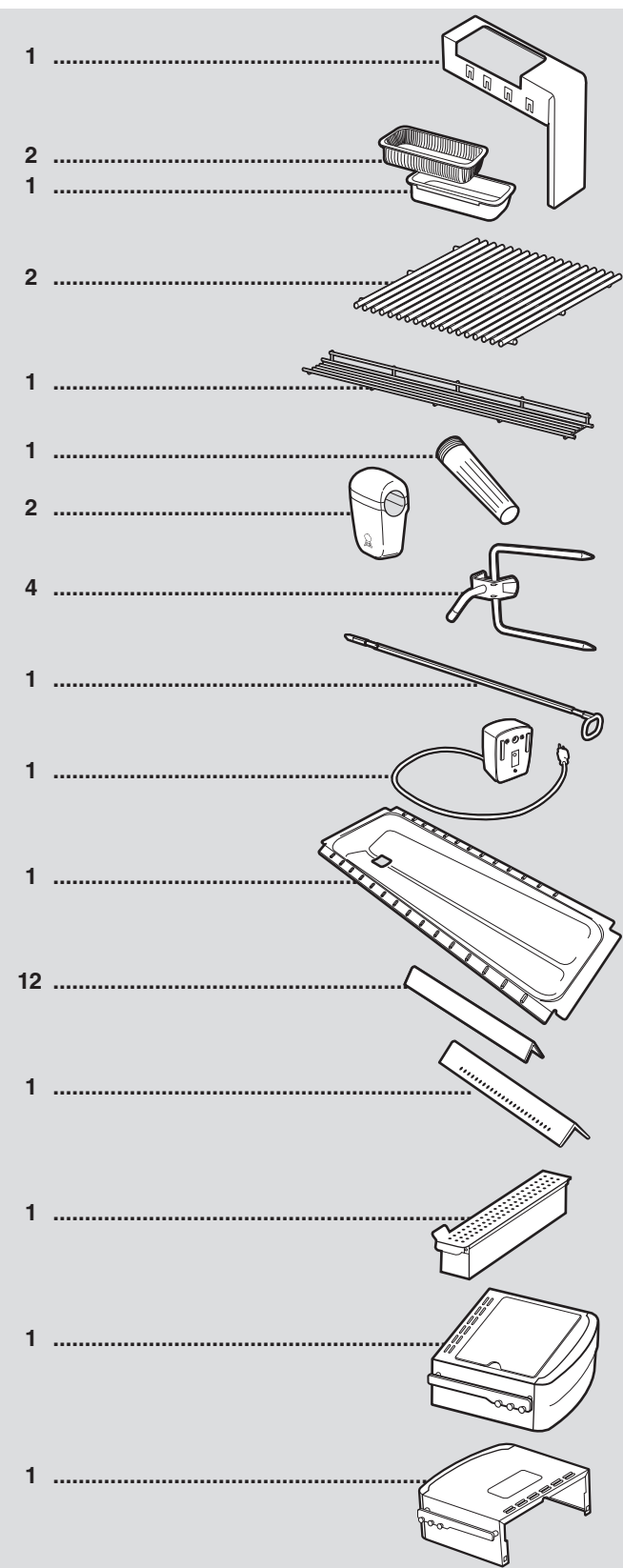


# SUMMIT™

48476 08/01/15  
EN — INTERNATIONAL ENGLISH

## E-670™ · S-670™

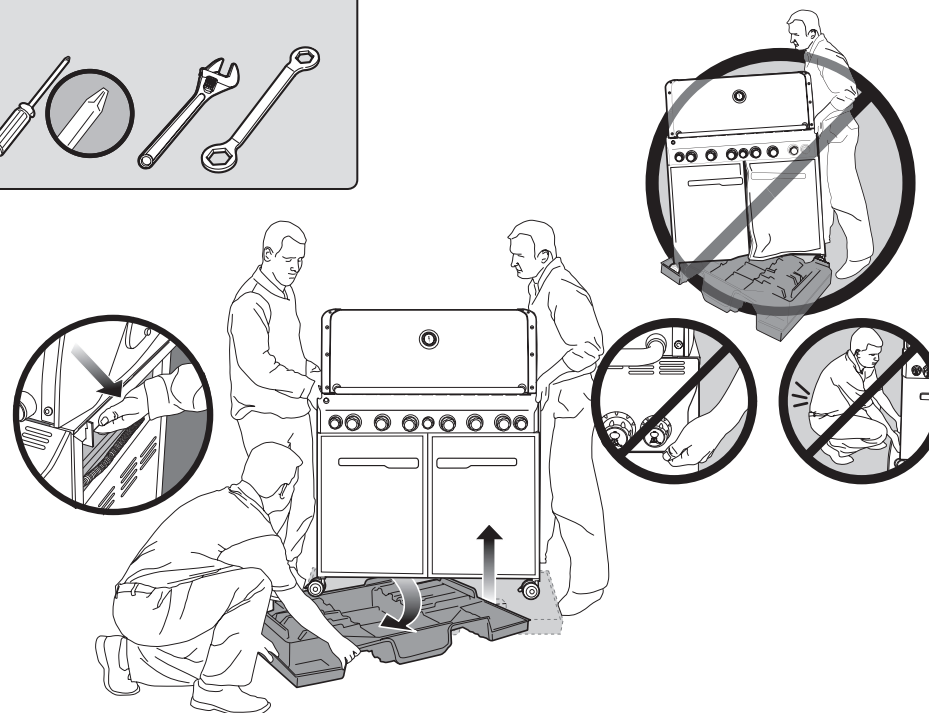
### PARTS LIST •



### ASSEMBLY INSTRUCTIONS •

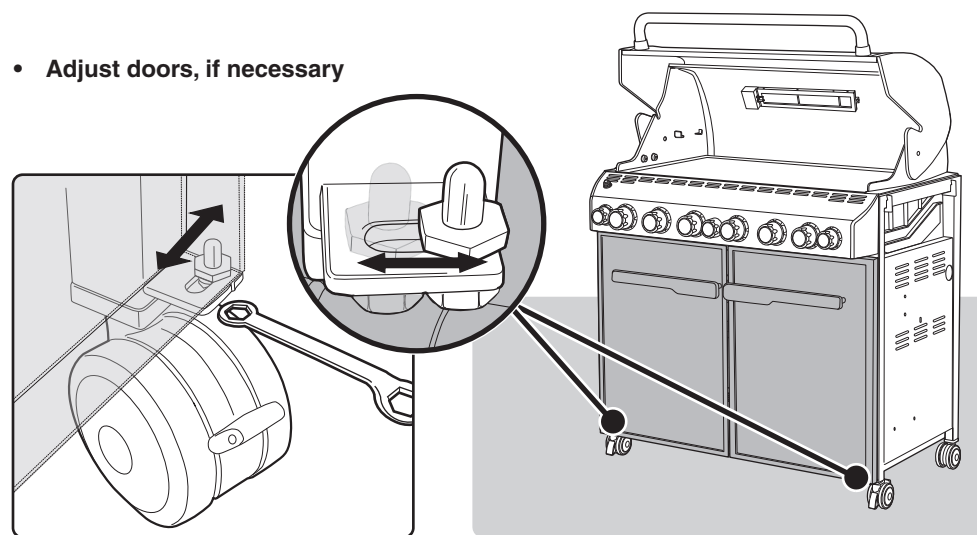
3-

TOOLS NEEDED:

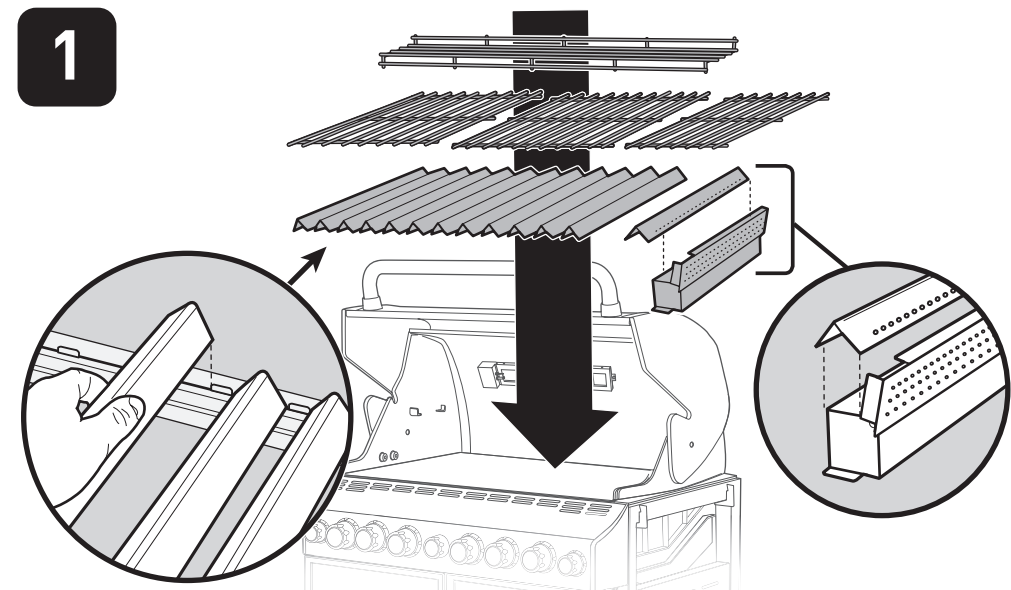


**⚠ IMPORTANT: TO PROPERLY ALIGN FRAME AND DOORS, ASSEMBLE GRILL ON A FLAT AND LEVEL SURFACE.**

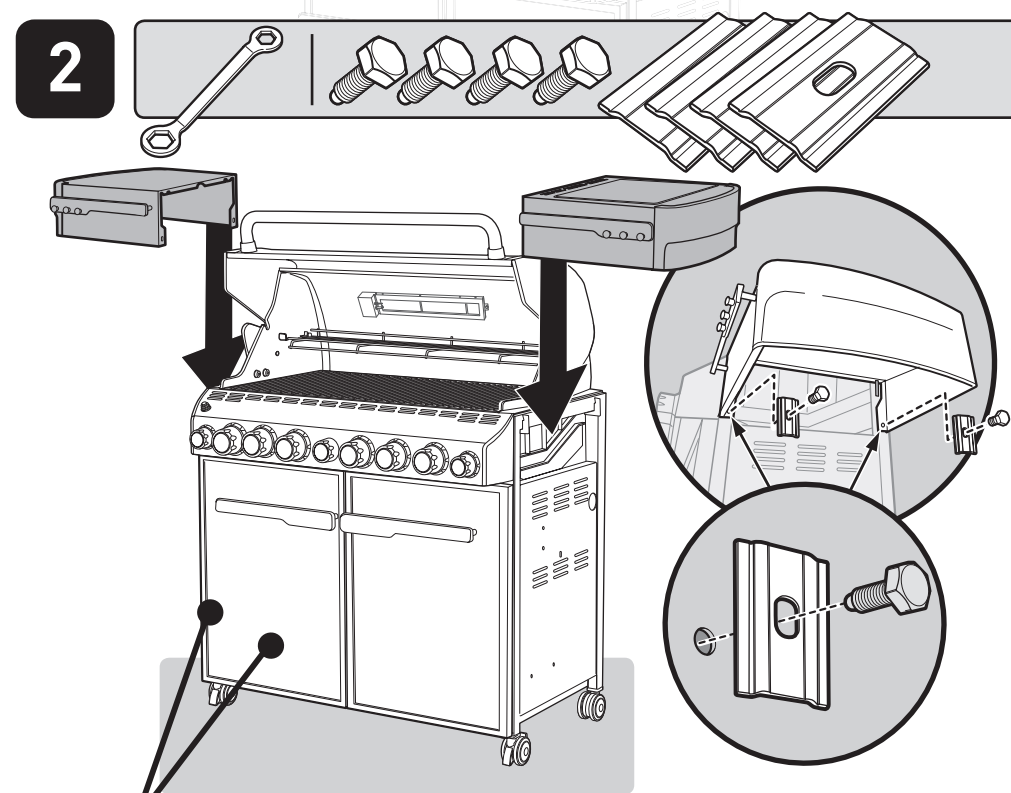
• Adjust doors, if necessary



1



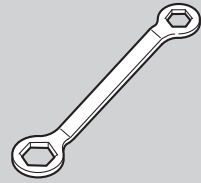
2



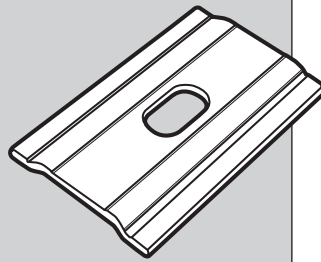
Remove protective film from stainless steel surface before using grill.



Hardware:



Wrench - 1



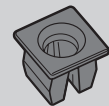
Bracket - 4



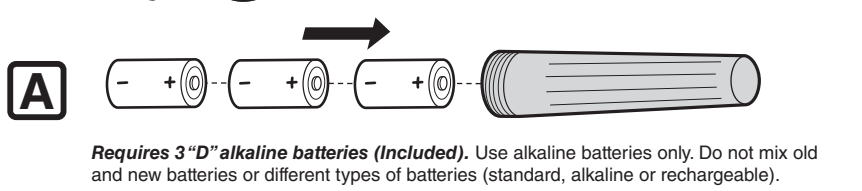
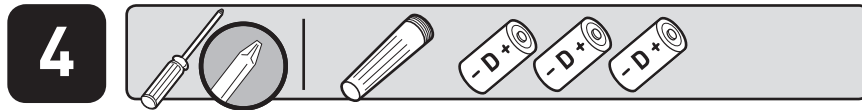
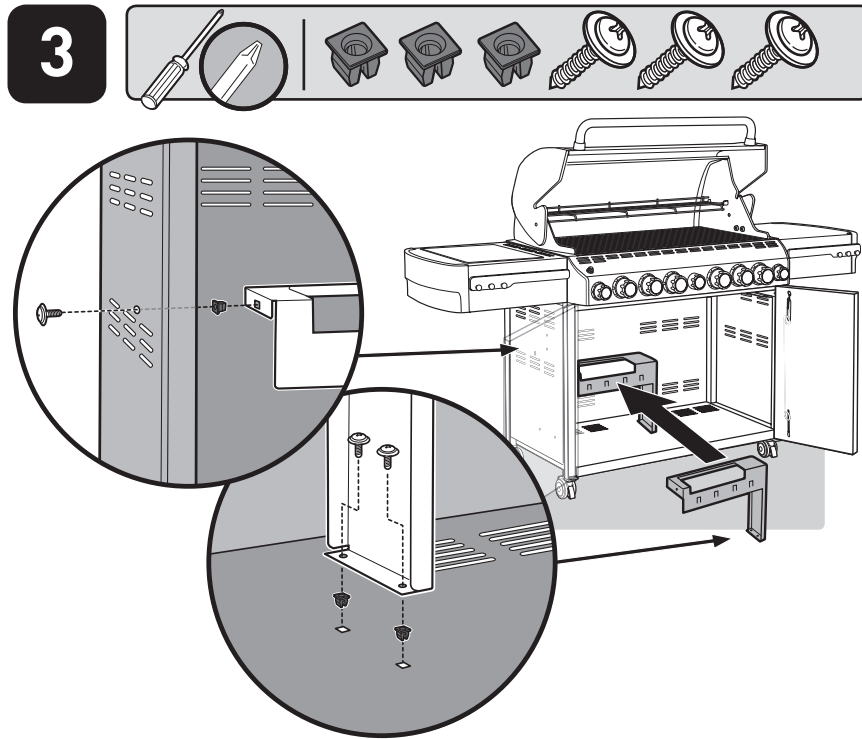
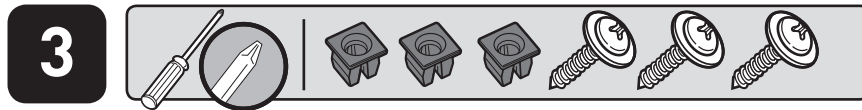
Silver Hex Bolt - 4



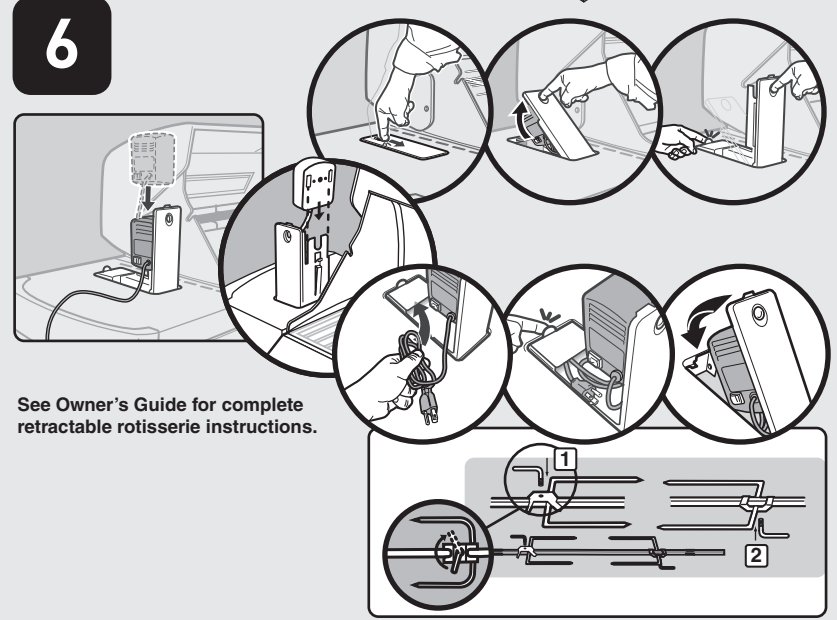
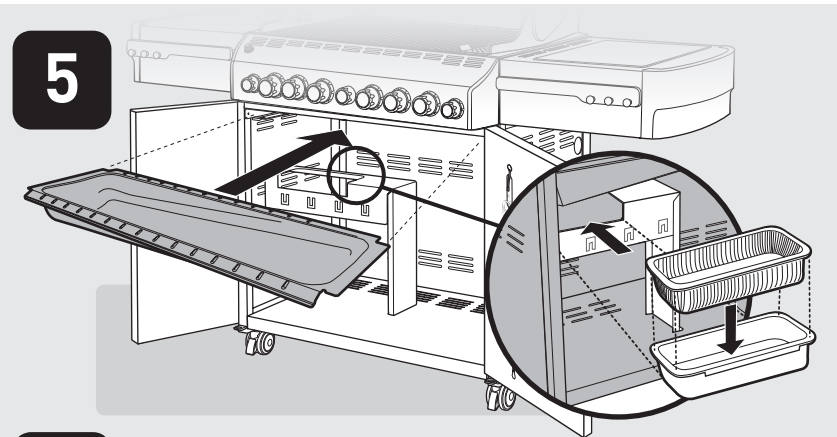
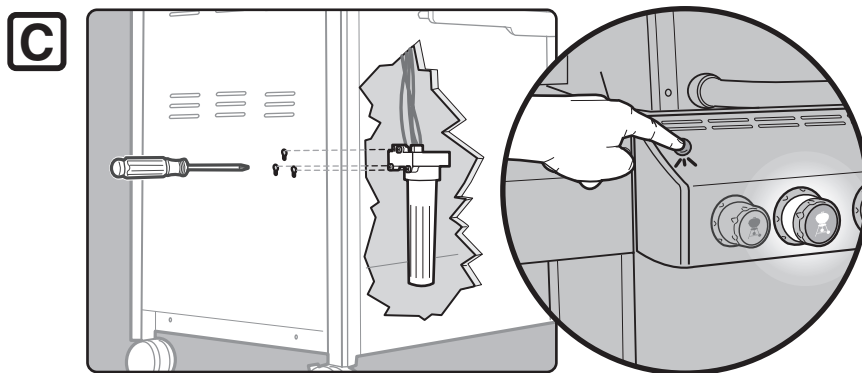
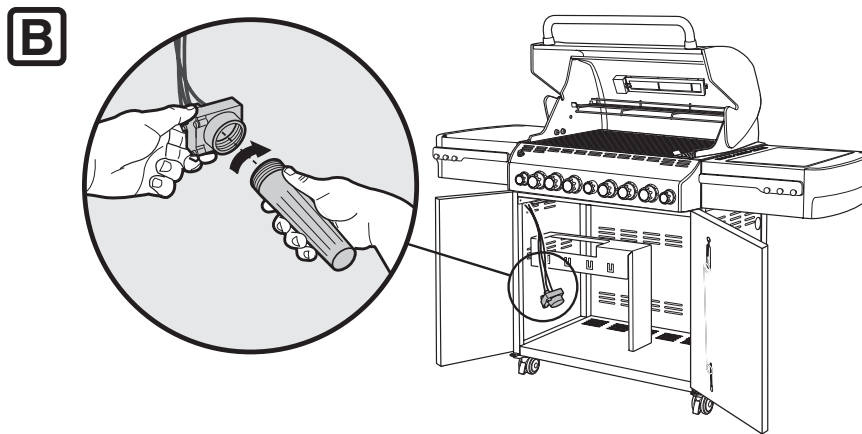
Screw - 3



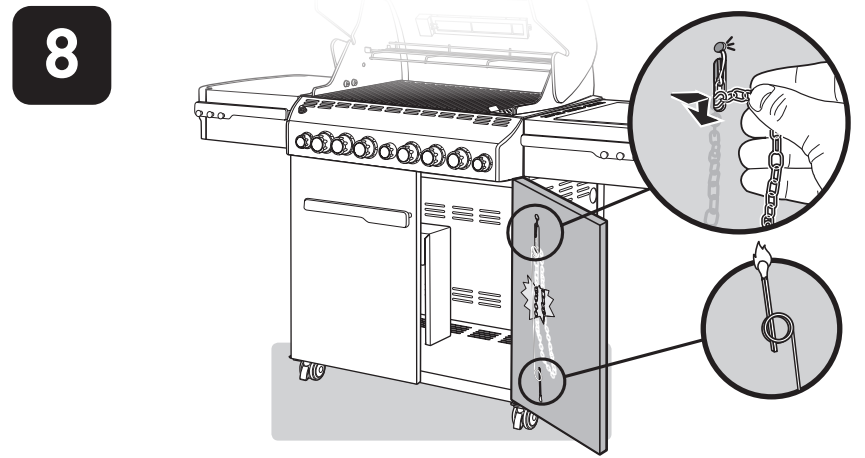
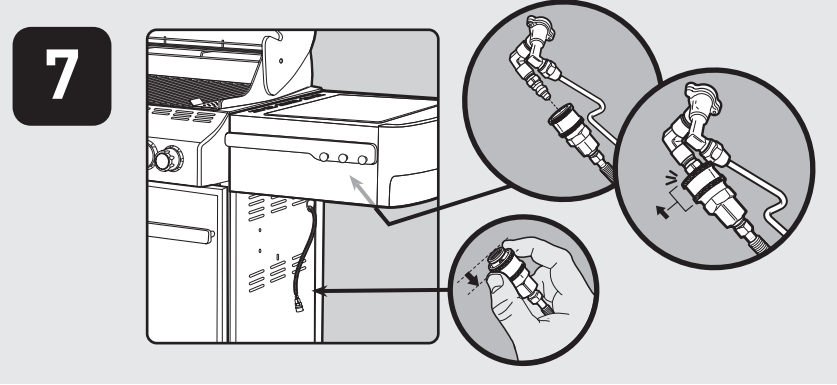
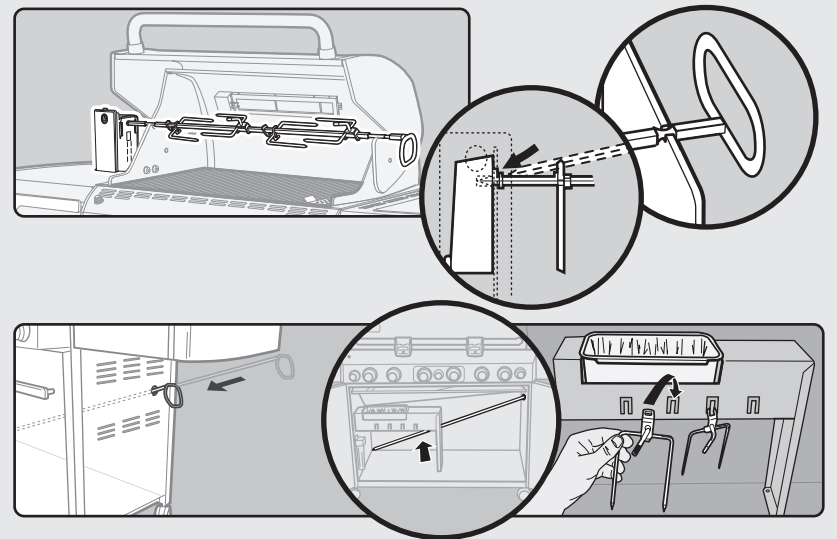
Plastic Plug - 3



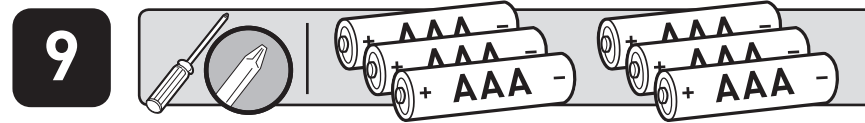
Requires 3 "D" alkaline batteries (Included). Use alkaline batteries only. Do not mix old and new batteries or different types of batteries (standard, alkaline or rechargeable).



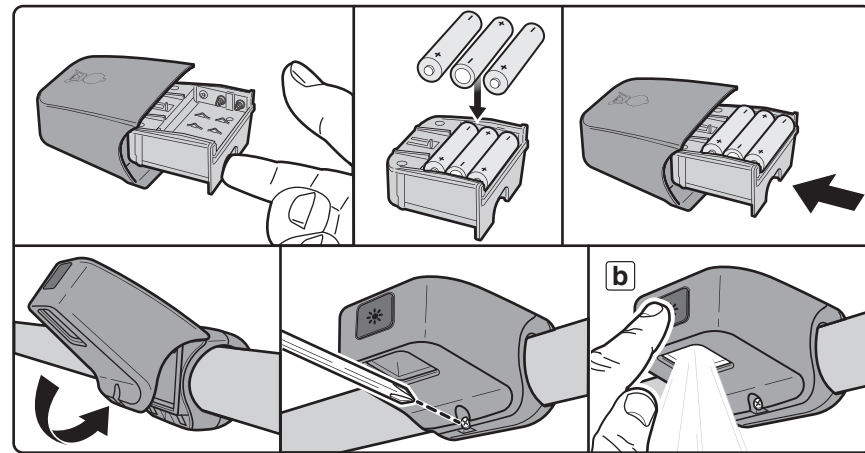
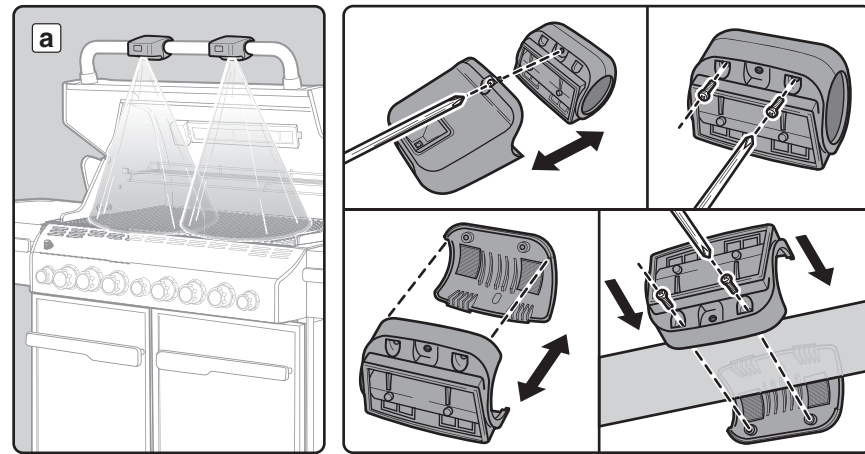
See Owner's Guide for complete retractable rotisserie instructions.



See Owner's Manual for complete gas instructions.



Requires 6 "AAA" alkaline batteries (not included)



Before use, the grill light should be positioned as shown in illustration (a). Press the AWAKE button to activate the grill light. The light has a "tilt sensor" that will turn on the light if the grill lid is opened and turn off the light when the grill lid is closed. If the lid is left open or closed for more than 30 minutes, the grill light will deactivate. To turn the light back on, press the AWAKE button (b). NOTE: The light does not turn OFF by pressing the AWAKE button.