



SCHEMATICS

CUSTOMER SERVICE
1-800-446-1071

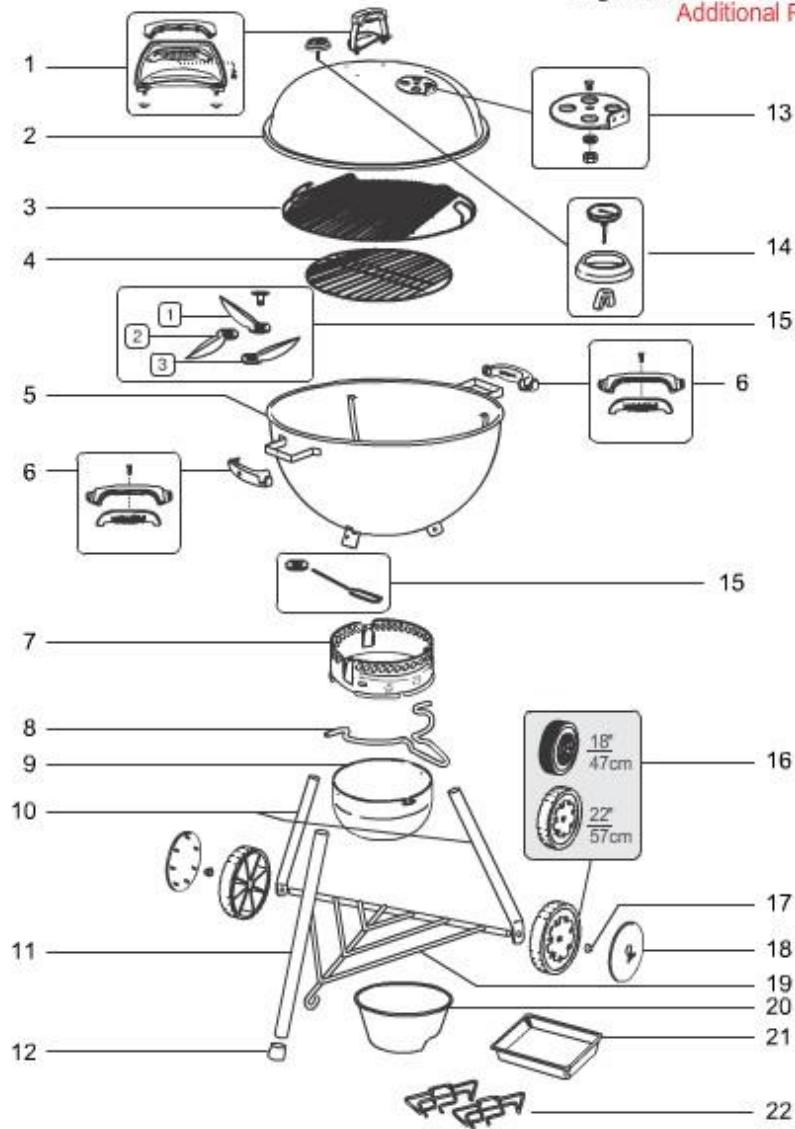
Export (General) / Charcoal / One-Touch Original

[EMAIL](#) | [CLOSE](#)

MODEL #: 14401004 DESCRIPTION: 57CM O/T PREMIUM BLK EU

[Print Schematic](#)

Original Kettle® Premium
Additional Parts



04.14

Seq #

Part #

Description