

CLEANING KIT



Q & Pulse grills



Cleaning takes 60 min.



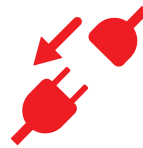
Clean when 10x used



Make sure grill is cold



Disconnect gas tank or unplug



WHAT YOU NEED - NOT INCLUDED



Cloth for drying



Bucket



Gloves

WHAT YOU NEED - INCLUDED



Three Sided Grill



Q & Grate Cleaner



Sponge, 2 Pcs



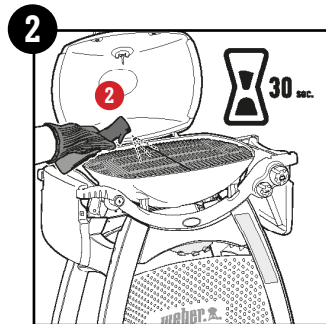
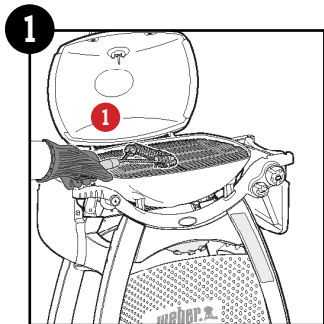
Scraper



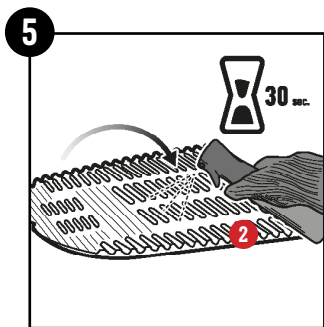
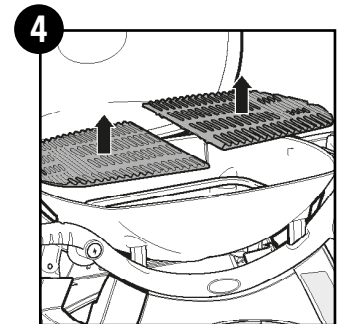
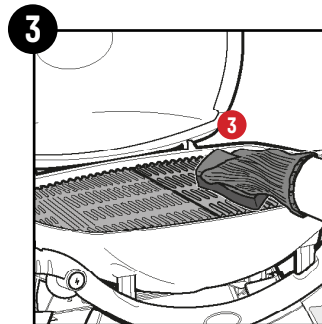
Non-Stick Spray



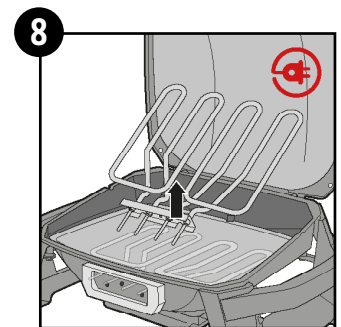
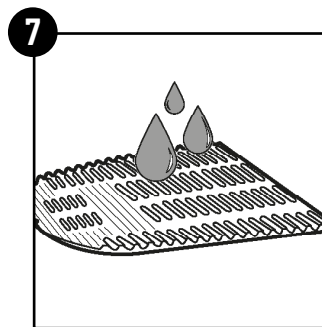
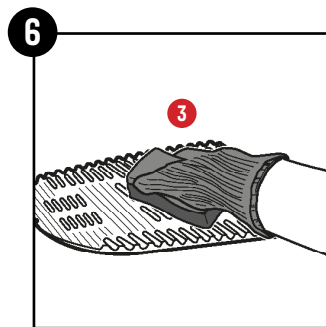
Microfibre Cloth



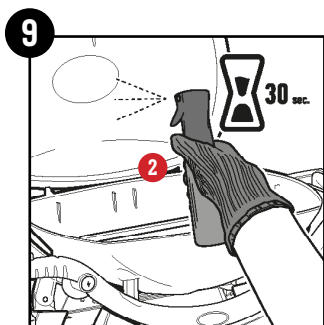
Spray and let settle for 30 sec.



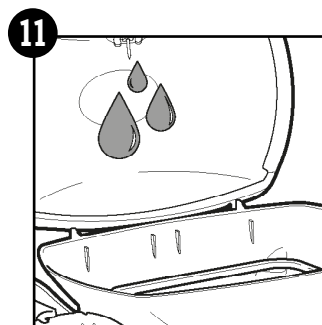
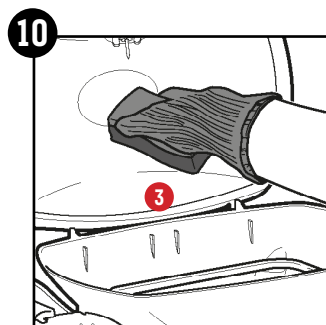
Turn grates around and repeat step 2.



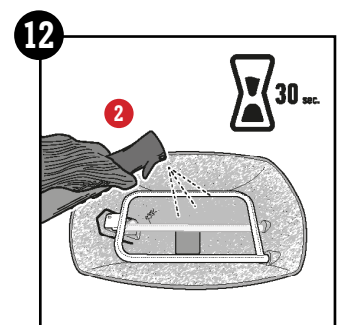
If electric, remove heat element.



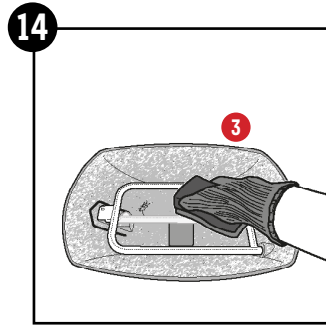
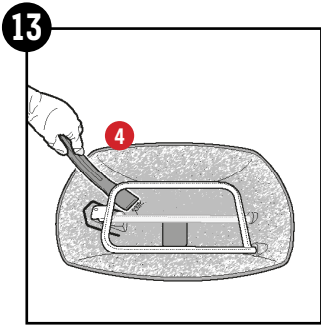
Spray and let settle for 30 sec.



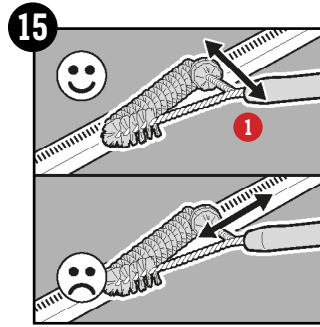
Rinse with water and dry with cloth.



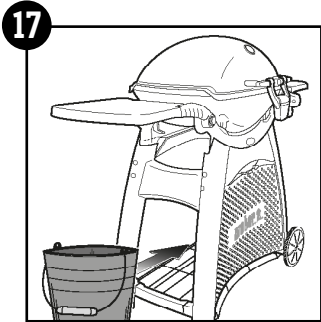
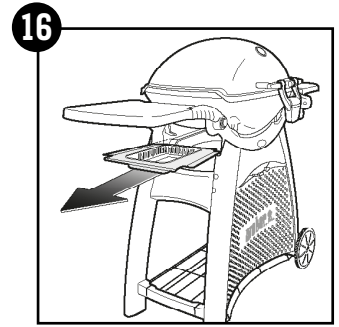
Spray and let settle for 30 sec.



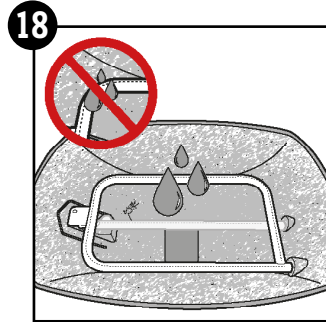
Clean with sponge and water. Dry with cloth.



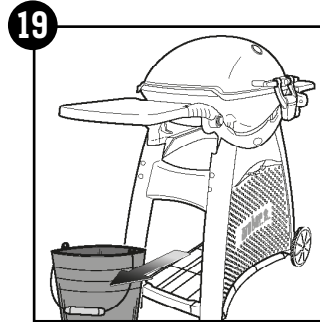
Brush across burner with clean brush.



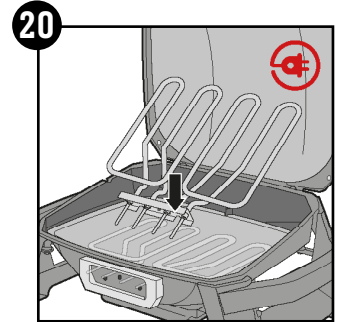
Place bucket below.



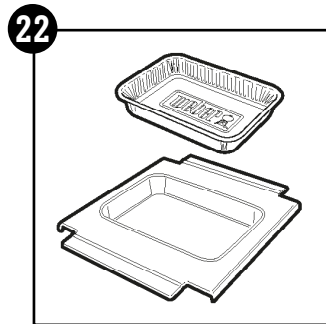
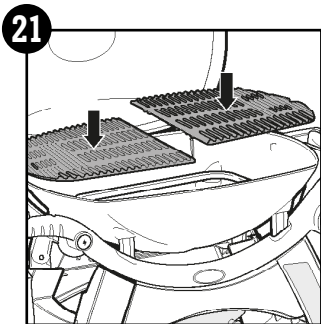
Rinse with water and dry with cloth.



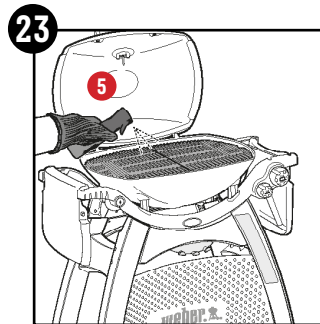
Remove bucket.



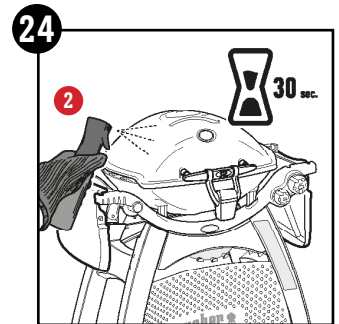
If electric, put heat element back.



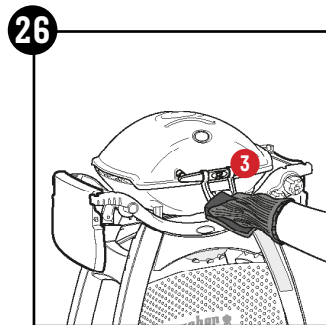
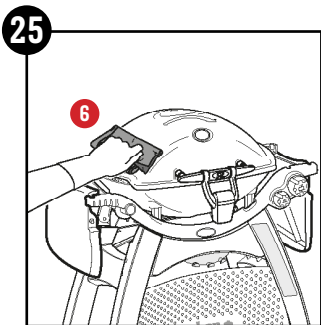
Insert new drip pan.



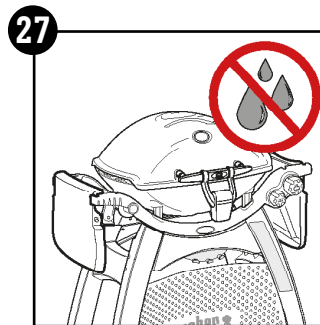
Finish with Non-Stick Spray.



Spray and let settle for 30 sec.



Clean frames with warm soap water.



Take care that grill is dry.